




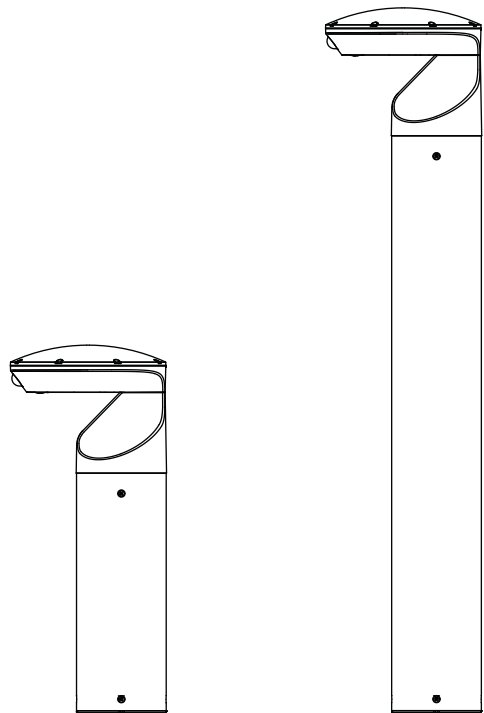


Hybrilux

SLB10-PATHSTAR BOLLARD

INSTALLATION AND MAINTENANCE MANUAL

PACKING LIST		
	Base plate templates	1PC
	Screw fixing plate	1PC
	Screw M5x16	5PCS
	Screw M8	3PCS
	Nut M8	3PCS

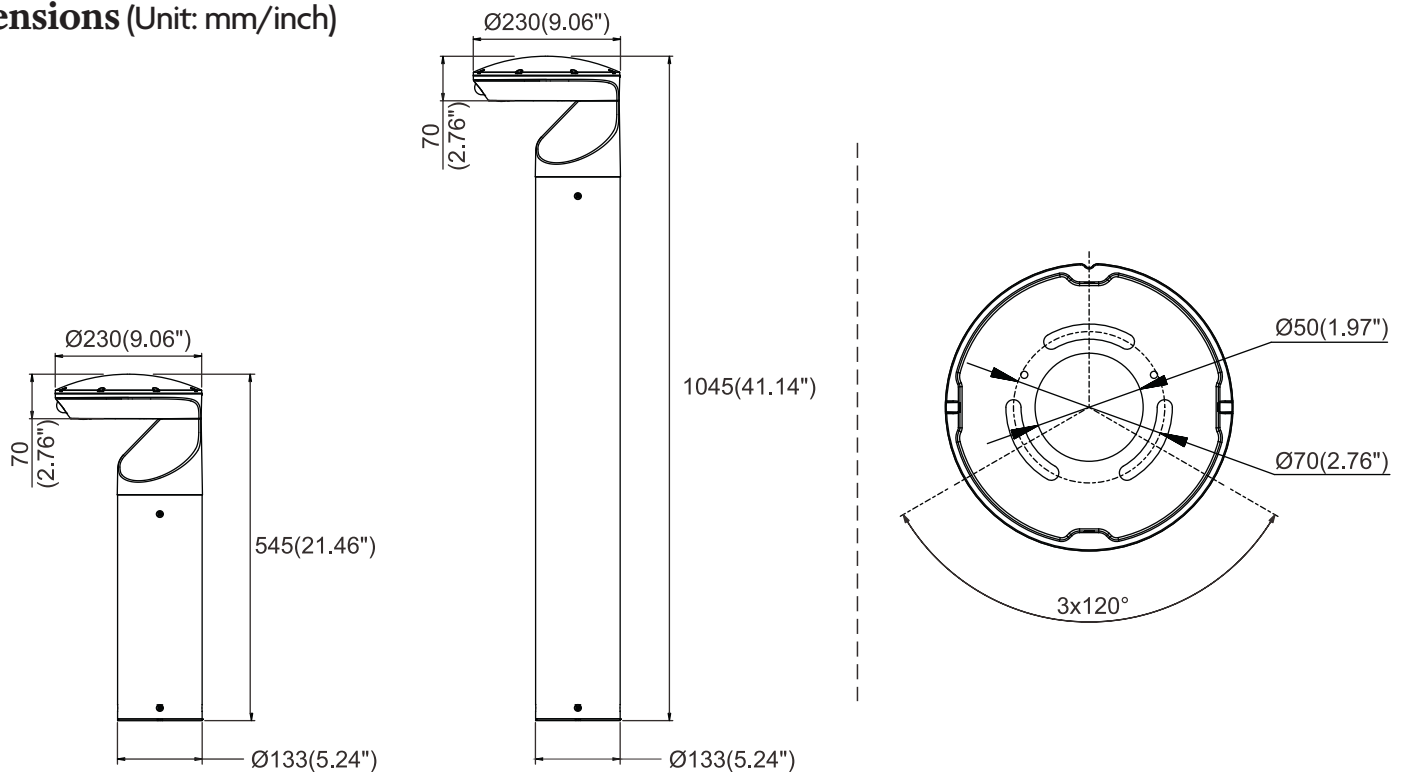


21.5 inch

41.1 inch

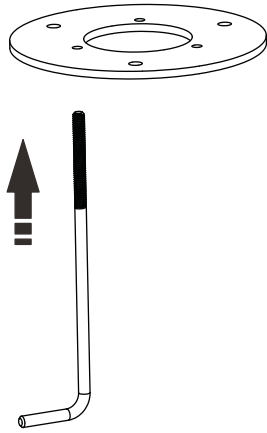


Dimensions (Unit: mm/inch)

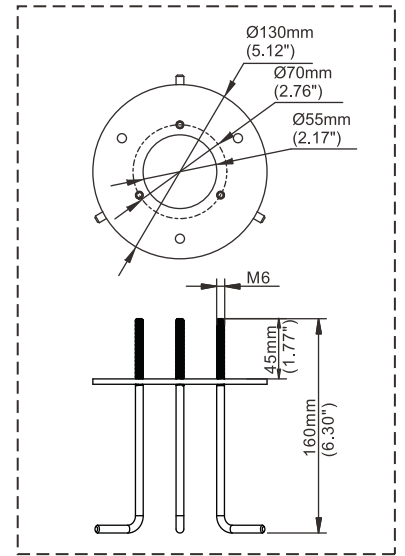
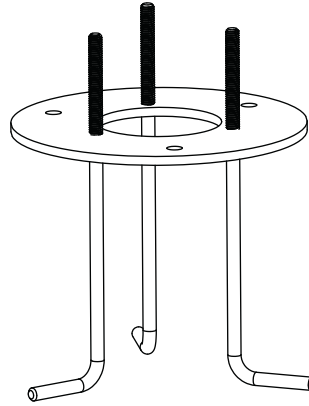


Installation

1. ✂

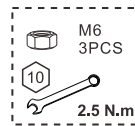
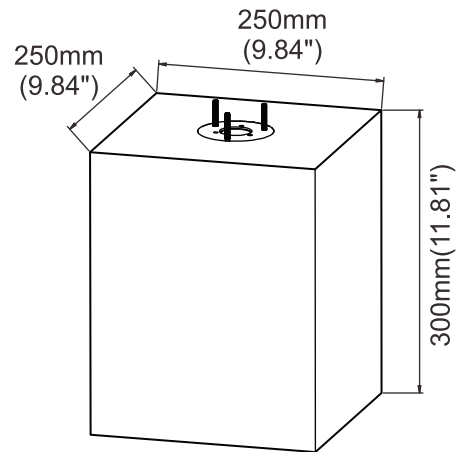
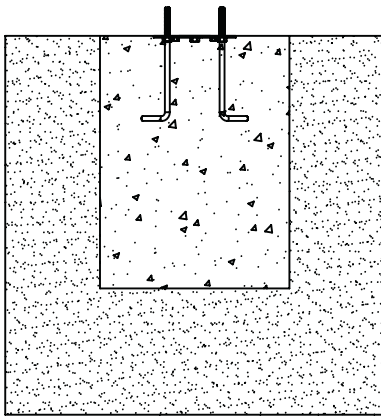


2. ✂

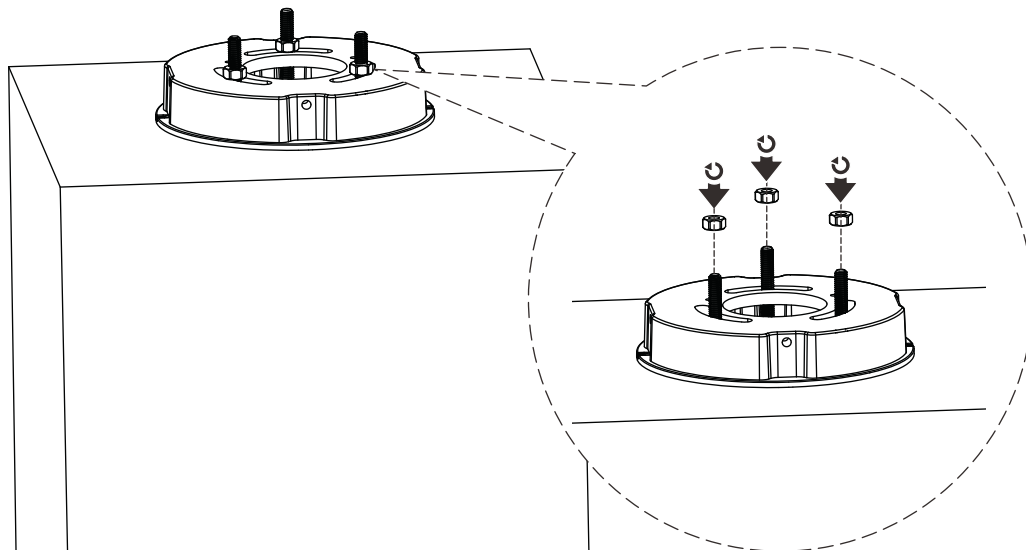


3. ✂

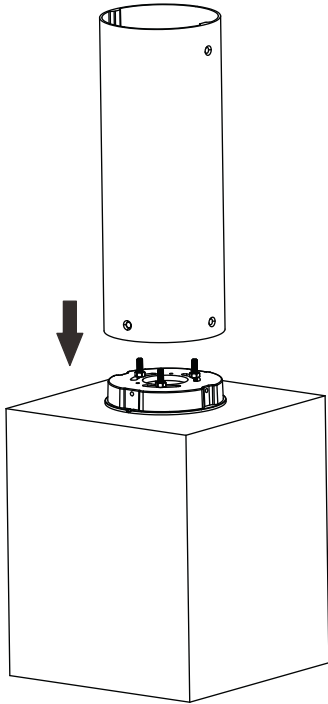
Suggested cement column size:



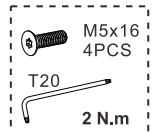
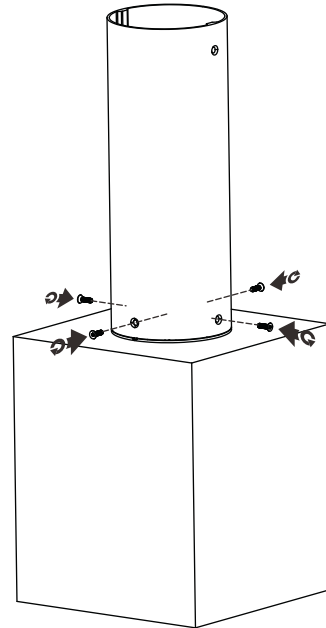
4. ✂



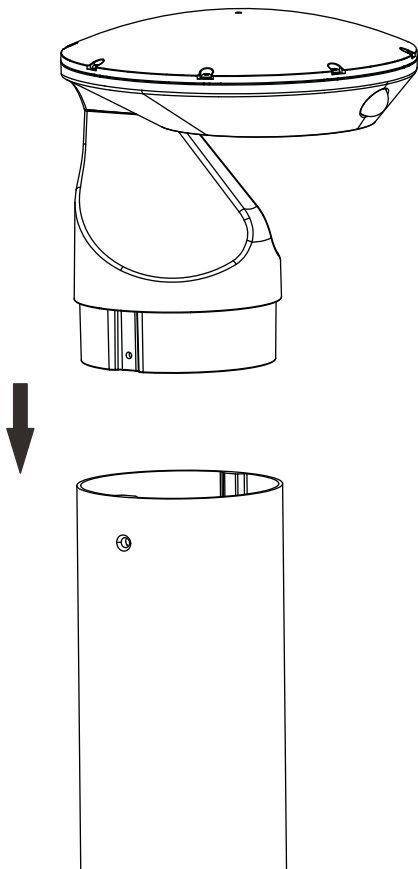
5. ✂



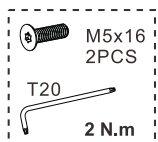
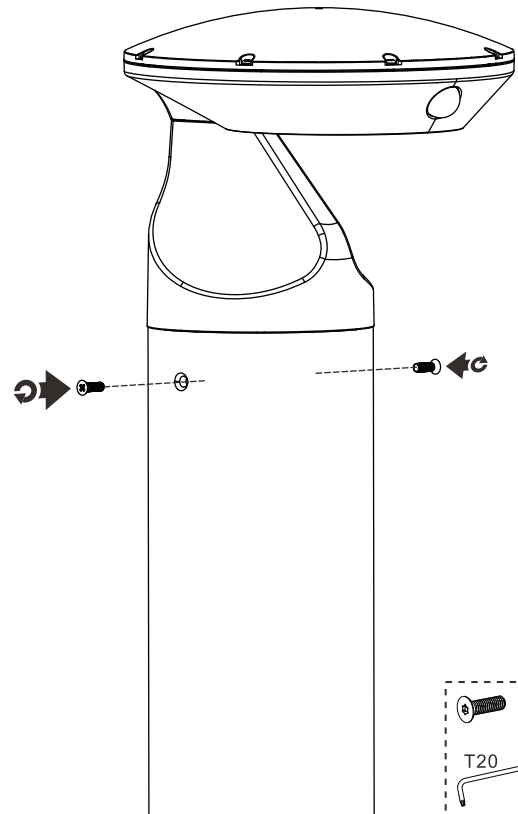
6. ✂



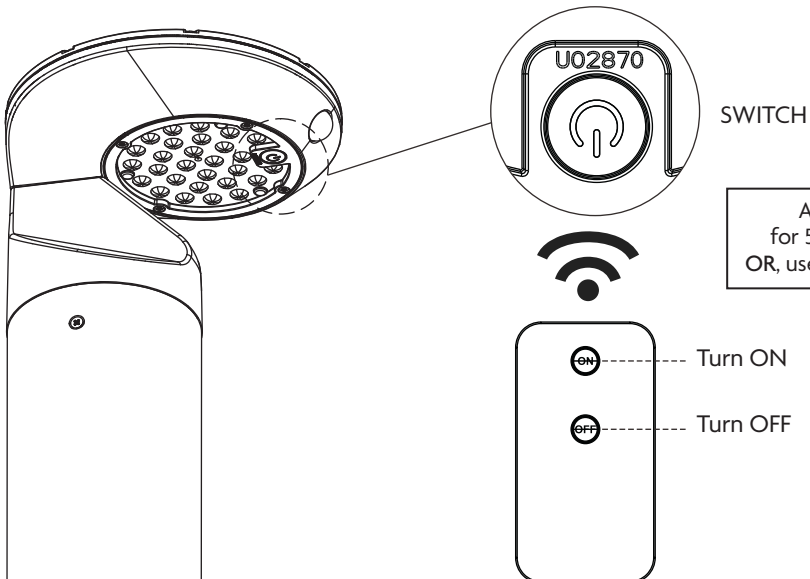
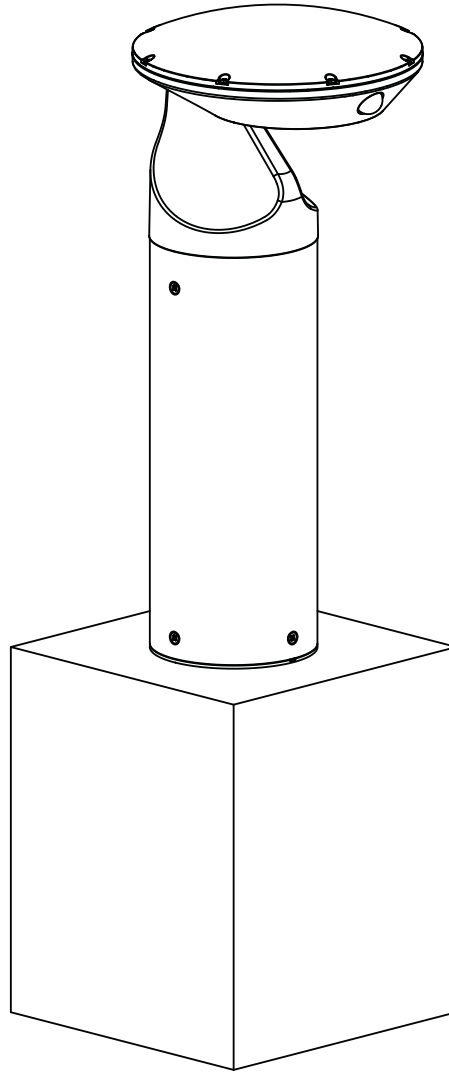
7. ✂



8. ✂

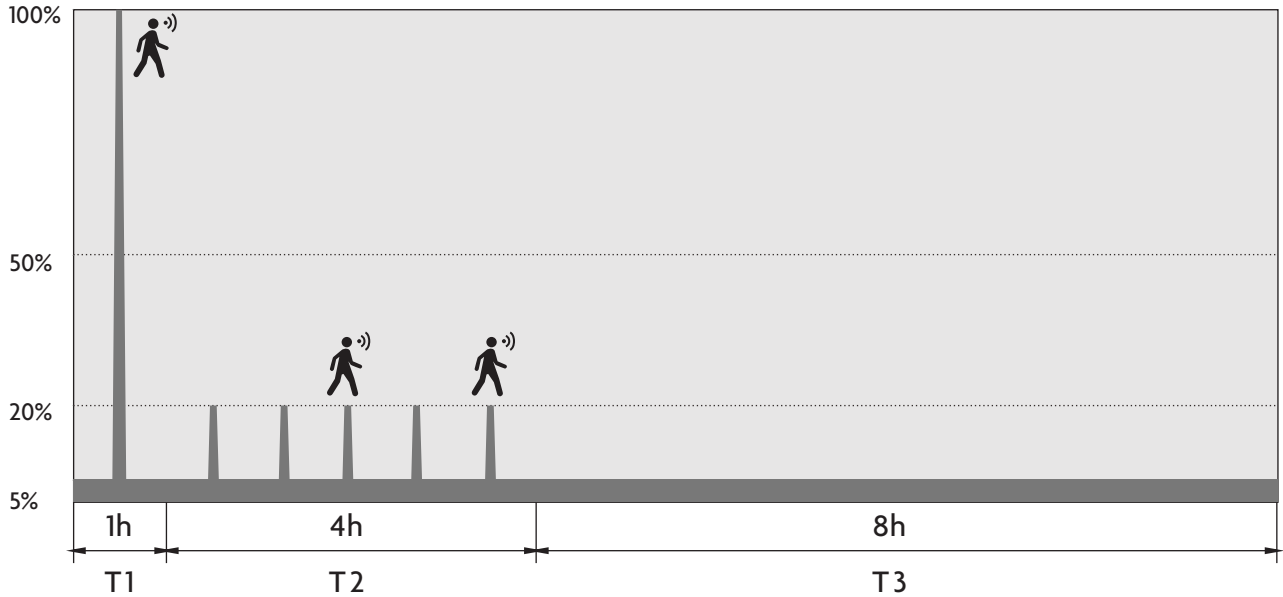


9. ✕



After installation, please press the switch button for 5 seconds to activate the light or turn off the light. OR, use the remote control to turn the light on/off directly.

Intelligent Control Mode



Default Working mode (intelligent Mode)		Time 1	Time 2	Time 3
	Working hours	1h	4h	8h
	Not detected	5%	5%	5%
	Detected	100%	20%	5%
	Light up for 30 seconds when detected			

Power	4W	
Outlook Dimensions	Ø230x545mm(Ø9.06"x21.46")	Ø230x1045mm(Ø9.06"x41.14")
Luminaire Net Weight (±6%)	3.5kg(7.72Lbs)	5.2kg(11.46Lbs)
Solar Panel Wattage	4.5W	
Battery Capacity	19.2Wh	
Charging Time	>5hours	
Working Temperature	0°C to +45°C(32°F to +113°F)	
Storing Temperature	-20°C to +60°C(-4°F to +140°F)	

• Please subject to actual project weight