




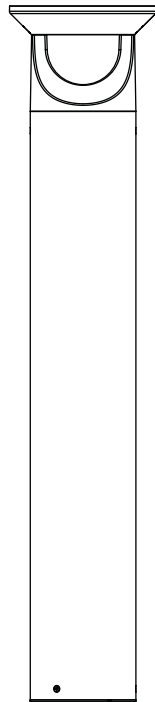


Hybrilux

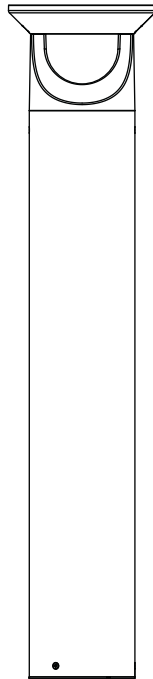
SLB05-PATHFINDER BOLLARD

INSTALLATION AND MAINTENANCE MANUAL

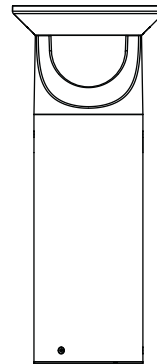
PACKING LIST		
	Base plate templates	1PC
	Screw fixing plate	1PC
	Screw M5x16	5PCS
	Screw M8	3PCS
	Nut M8	3PCS



42.8 inch



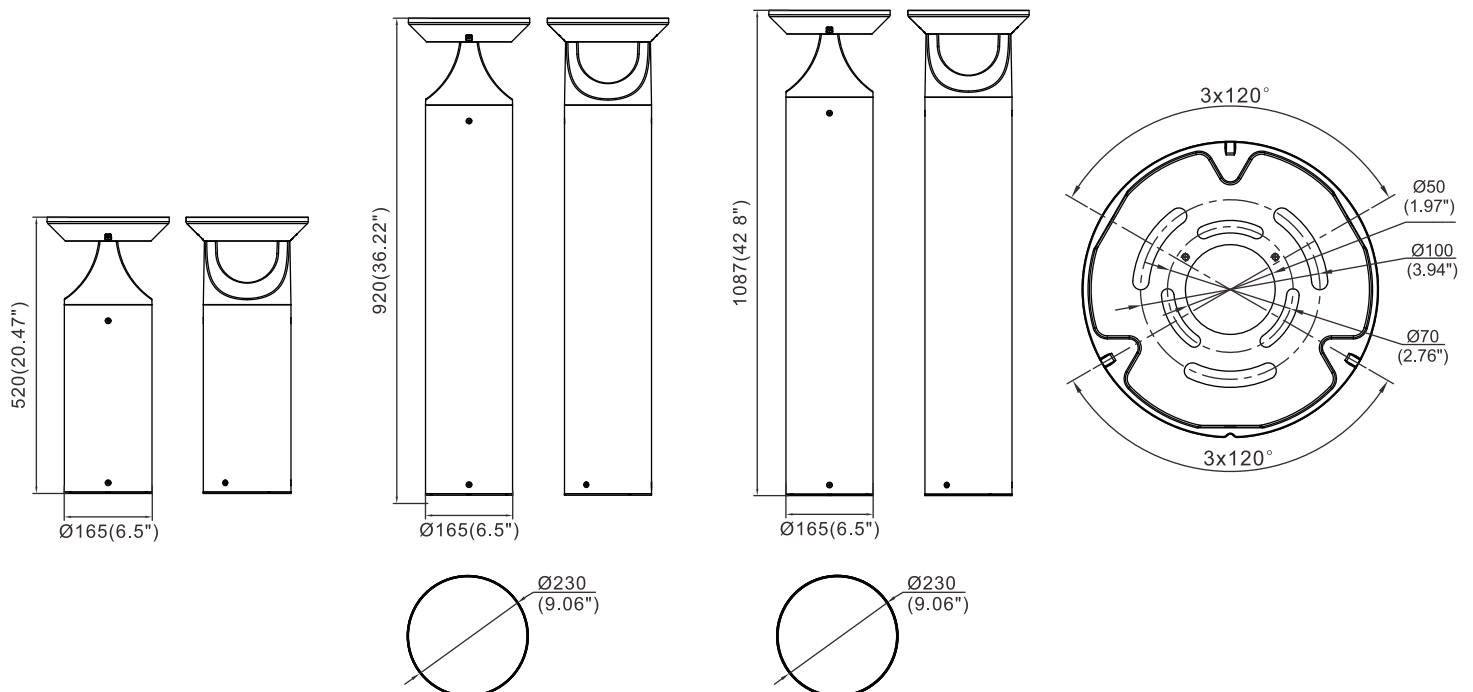
36.22 inch



20.47 inch

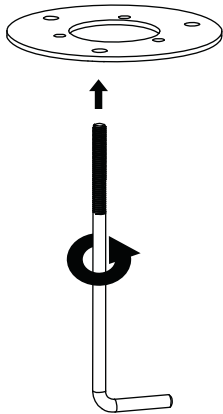


Dimensions (Unit: mm/inch)

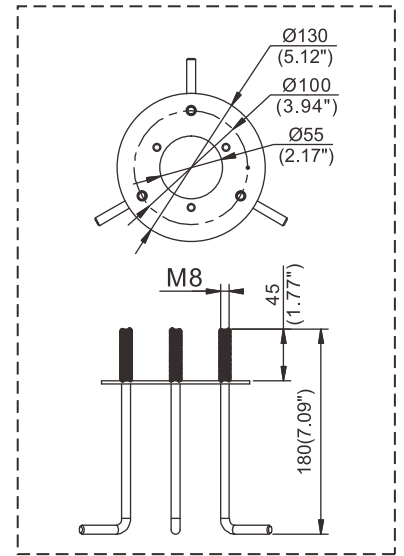
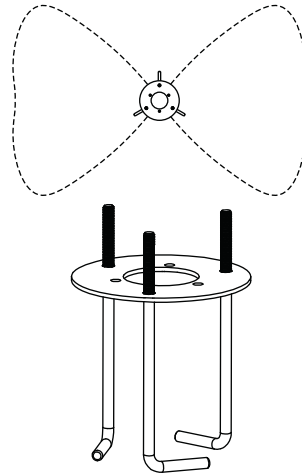


Installation

1. ✂

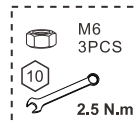
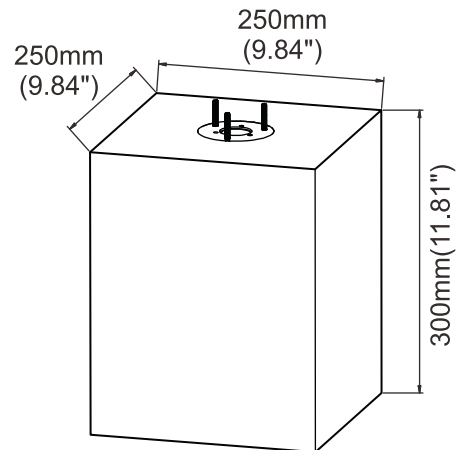
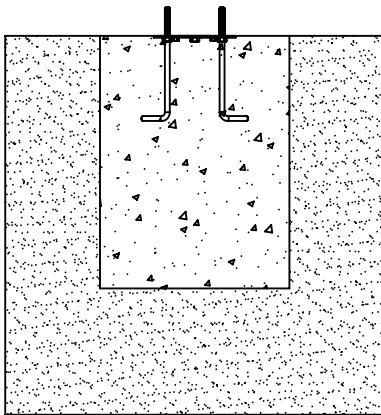


2. ✂

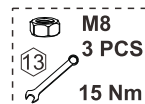
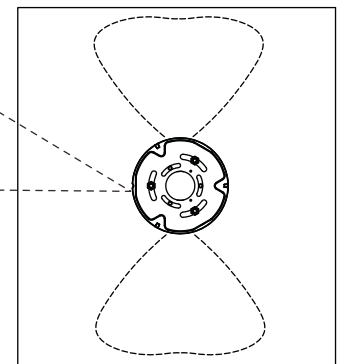
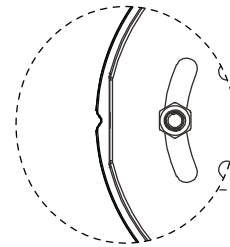
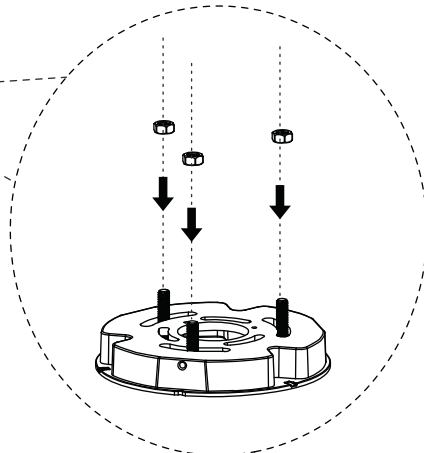
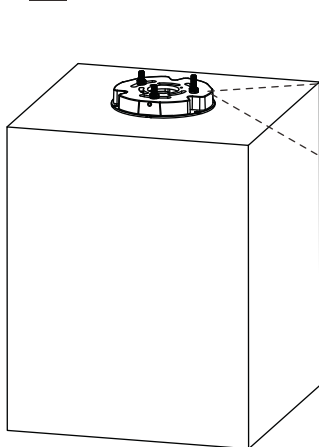


3. ✂

Suggested cement column size:

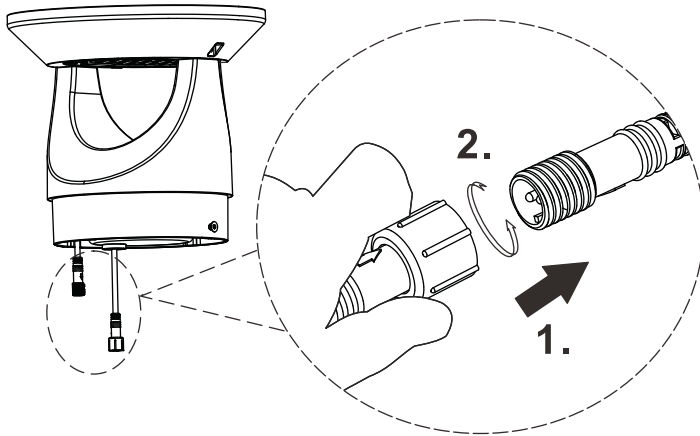


4. ✂

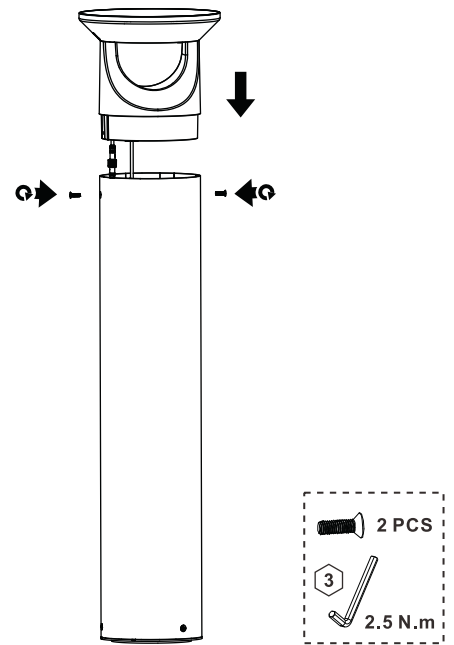


The direction of light should be on both sides of the notch.
Please ensure the bollard head is installed properly.

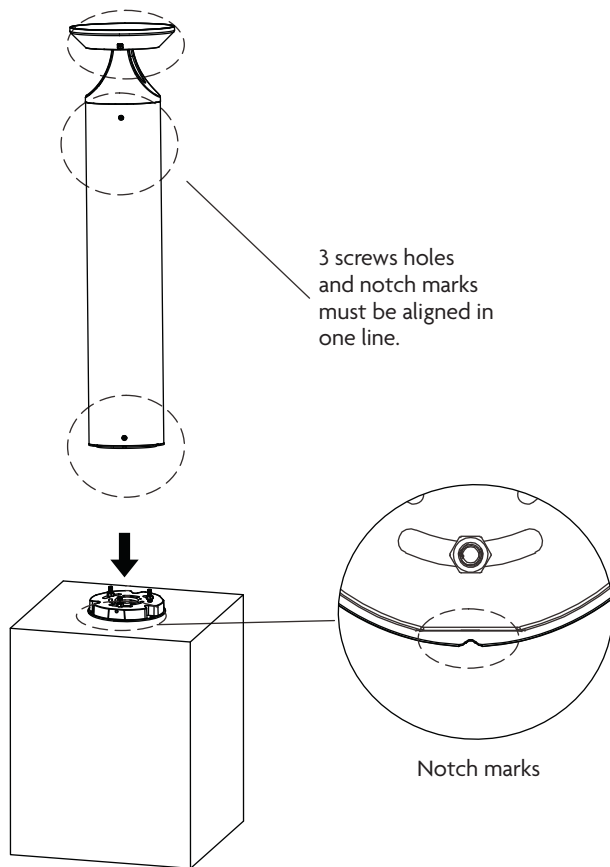
5. ✂



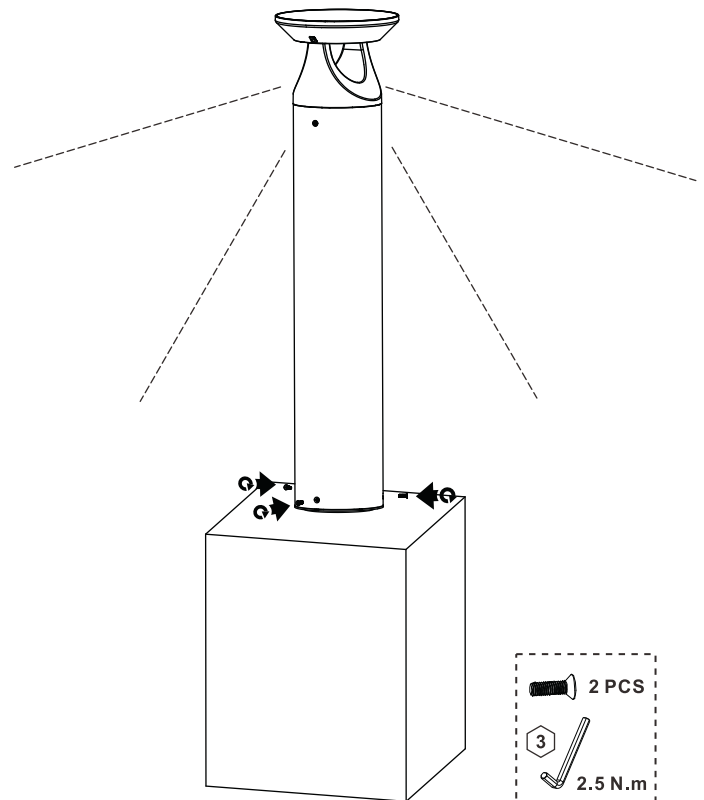
6. ✂



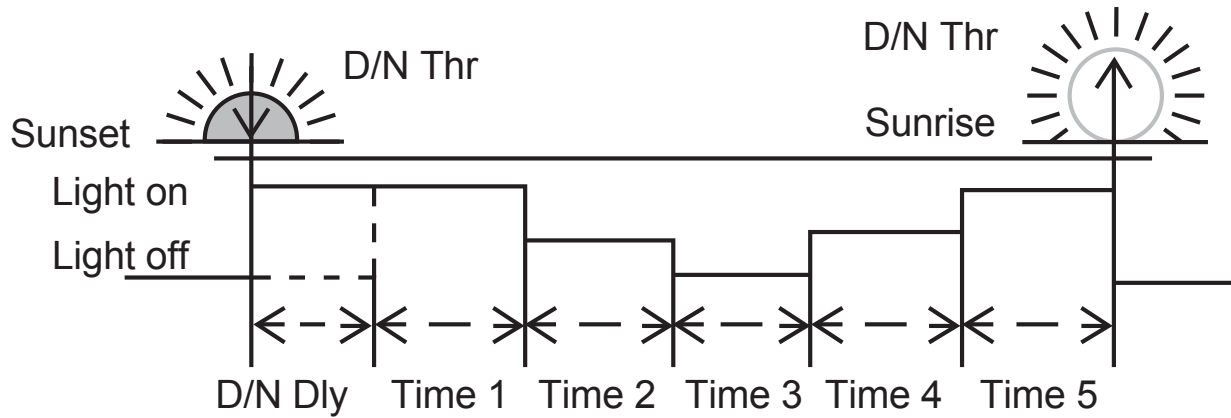
7. ✂



8. ✂



5 Stage Night Mode



*Please note the sensor function is only available at Time 3 and Time 4.

*You can set the timer and dimming features manually by remote control to one of five settings.

*Recommended Light Setting

Lighting scheme	Time1	Time2	Time3	Time4	Time5	Energy consumption	Working hours in rainy days
1 (Factory default)	6Hx30%	0Hx100%	0Hx100%	TOTx0%	1Hx30%	7.4Wh	4-5 Days
2	6Hx30%	6Hx30%	0Hx100%	0Hx0%	0Hx100%	12.6Wh	3-4 Days
3	6Hx50%	6Hx30%	0Hx100%	0Hx0%	0Hx100%	16.8Wh	2-3 Days
4	4Hx70%	4Hx30%	4Hx30%	0Hx0%	0Hx100%	18.2Wh	1-2 Days
5	4Hx100%	2Hx50%	0Hx100%	0Hx0%	0Hx100%	17.5Wh	2-3 Days
6	2Hx50%	4Hx30%	0Hx100%	TOTx20%	1Hx30%	12.3Wh	3-4 Days
7	4Hx80%	2Hx30%	0Hx100%	TOTx0%	1Hx80%	16.1Wh	2-3 Days

*The table of rainy days is for reference only. The Actual working days is subject to the local sunshine conditions.

Product Specifications	3W		
Outlook Dimensions	Ø230x520mm(Ø9.06"x20.47")	Ø230x920mm(Ø9.06"x36.22")	Ø230x1087mm(Ø9.06"x42.8")
Net Weight	5.1±0.3kg(11.24±0.66Lbs)	6.6±0.3kg(14.55±0.66Lbs)	7.28±0.3kg(16.05±0.66Lbs)
Working Temperature	0°C to + 50°C(32°F to +122°F)		
Storing Temperature	-10°C to + 50°C(14°F to +122°F)		

- For other than portable PV luminaire systems, the installation shall recommend that installation be performed by an appropriately qualified professional, and that the installation shall comply with any local rules and regulations
- The light source contained in this luminaire shall only be replaced by the manufacturer or his service agent or a similar qualified person.