

INSTALLATION MANUAL

Introduction

Using only the highest quality components, the Smart Solar Sail Series LED Light Fixture is designed for industrial applications where reliability and performance are critical as the bulb maintenance is difficult or impossible, not to mention the high cost.

Every component of the Smart Solar Sail Series LED Light Fixture has been carefully engineered to provide the most reliable performance and bring across many benefits of utilizing solid state lighting technology in industrial applications. Smart Solar Sail Series LED Light Fixture is rated IP66.

Product Features:

- Multiple choice of optical lenses
- Patented thermal management allows -20°C to 60°C ambient working temperature
- System light efficacy 200 lm/W
- 5 years warranty
- Easy installation and maintenance



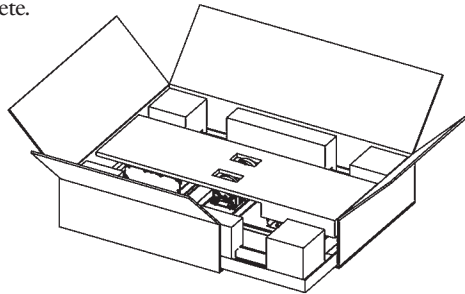
WARNING

To avoid the risk of fire, explosion, or electric shock, this product should be installed, inspected, and maintained by a qualified electrician only, in accordance with all applicable electrical codes.

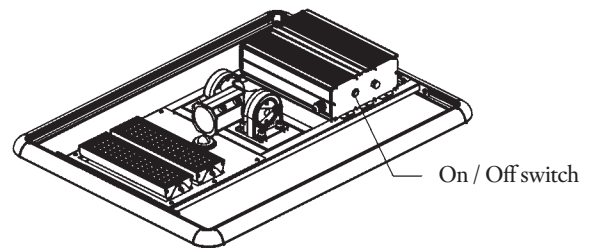
- Do not operate in ambient temperatures above those indicated on the luminaire nameplate.
- Avoid to use in environments containing sulfur, chlorine, or other halides, methyl acetate or ethyl acetate, cyanoacrylates, glycol ethers, formaldehyde or butadiene.

Inspection Before Installation

1. Check whether the appearance of the light is intact (mainly solar panels) and whether the accessories are complete.

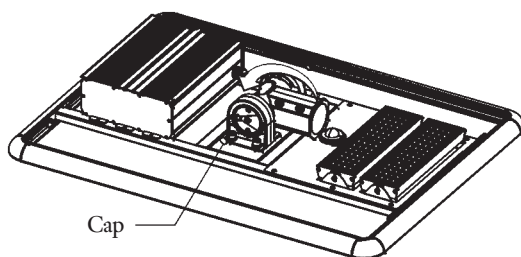


2. Please click the switch button and wait for 5 seconds till the light is on. (Note: ensure that the solar panel is not illuminated by light during inspection)



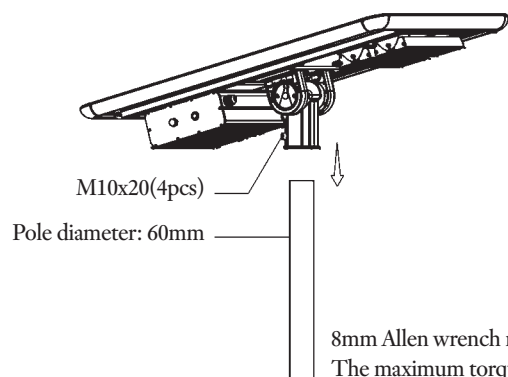
Light Installation

1. Take off the cap on the slip fitter adjust the beam angle of the slip fitter and fasten the screws



8mm Allen wrench needed.
The maximum torque is 25kgf.cm

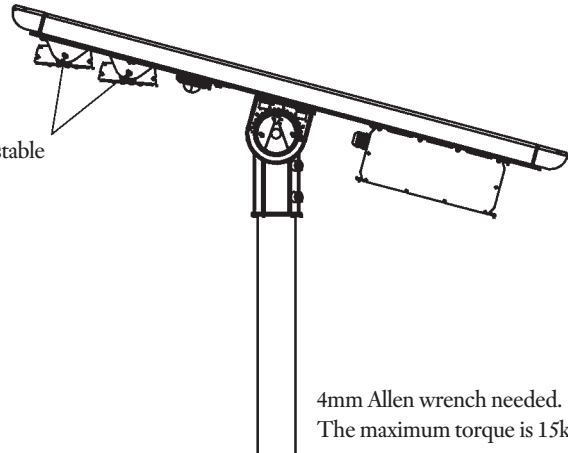
2. Insert the light into the pole and adjust the angle between the light and the road so that the light shines on the road and tighten the screws.



8mm Allen wrench needed.
The maximum torque is 25kgf.cm

3. Adjust the beam angle of the LED module as desired, and fasten the screws.

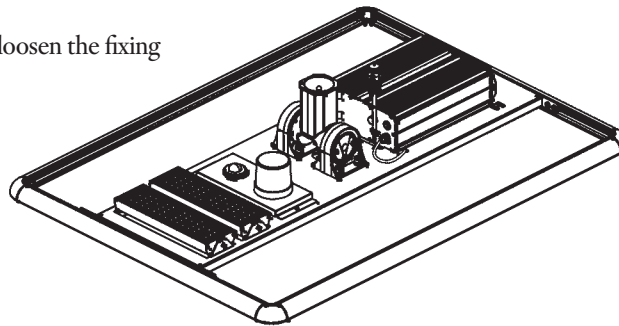
LED module: $\pm 30^\circ$ adjustable



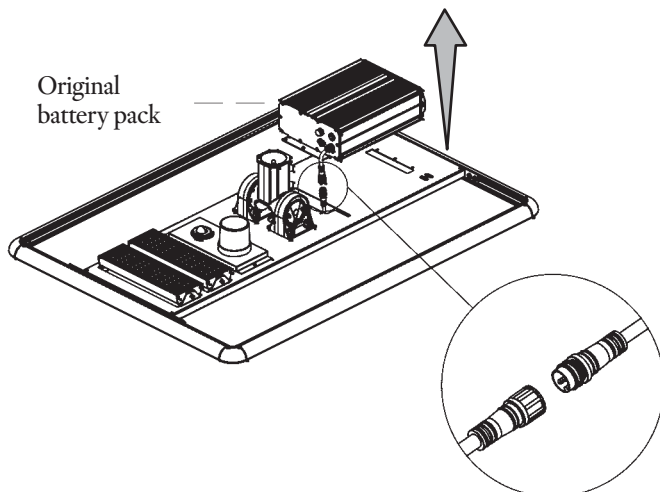
4mm Allen wrench needed.
The maximum torque is 1.5kgf.cm

Battery Pack Maintenance

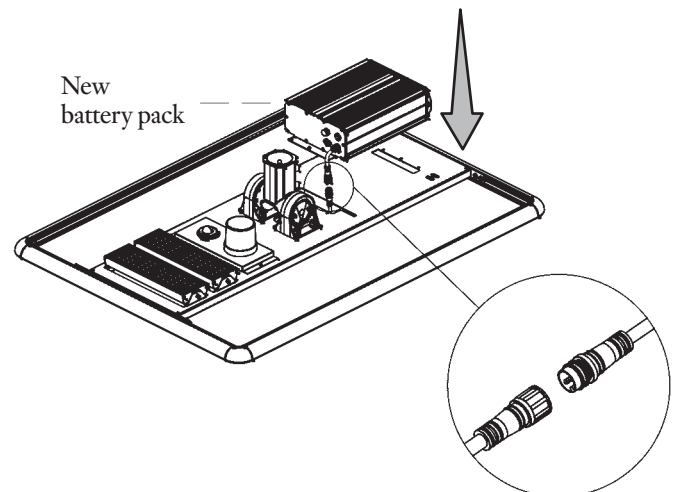
1. Rotate the light fixture apart as shown and loosen the fixing screws of the lamp base.



2. Remove the original battery pack and disconnect the connection wire between the battery pack and the lamp.



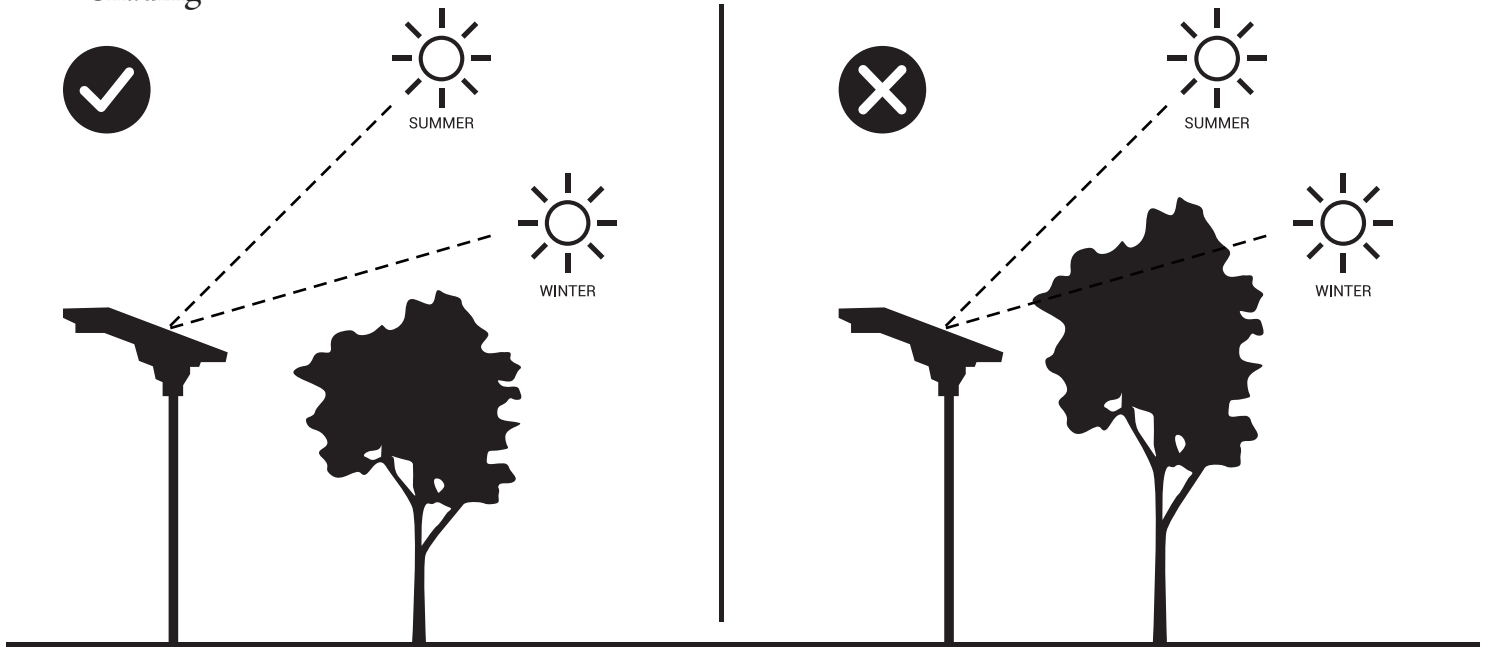
3. Connect the new battery pack to the lamp connection wire as shown in the figure, and fix the new battery pack to the lamp frame.



Remark

1. The installation position of solar lamps needs to be in the direction of the solar panel surface to the sun, and there is no shelter such as leaves and houses.

Shading



2. The installation position of solar light should not be illuminated by other fixtures.

Light Pollution

