

INSTALLATION AND MAINTENANCE MANUAL

Introduction

Using only the highest quality components, the Smart Solar Sail Series LED Light Fixture is designed for industrial applications where reliability and performance are critical as the bulb maintenance is difficult or impossible, not to mention the high cost.

Every component of the Smart Solar Sail Series LED Light Fixture has been carefully engineered to provide the most reliable performance and bring across many benefits of utilizing solid state lighting technology in industrial applications. Smart Solar Sail Series LED Light Fixture is rated IP66.

Product Features:

- Multiple choice of optical lenses
- Patented thermal management allows -20°C to 60°C ambient working temperature
- System light efficacy 200 lm/W
- 5 years warranty
- Easy installation and maintenance



WARNING

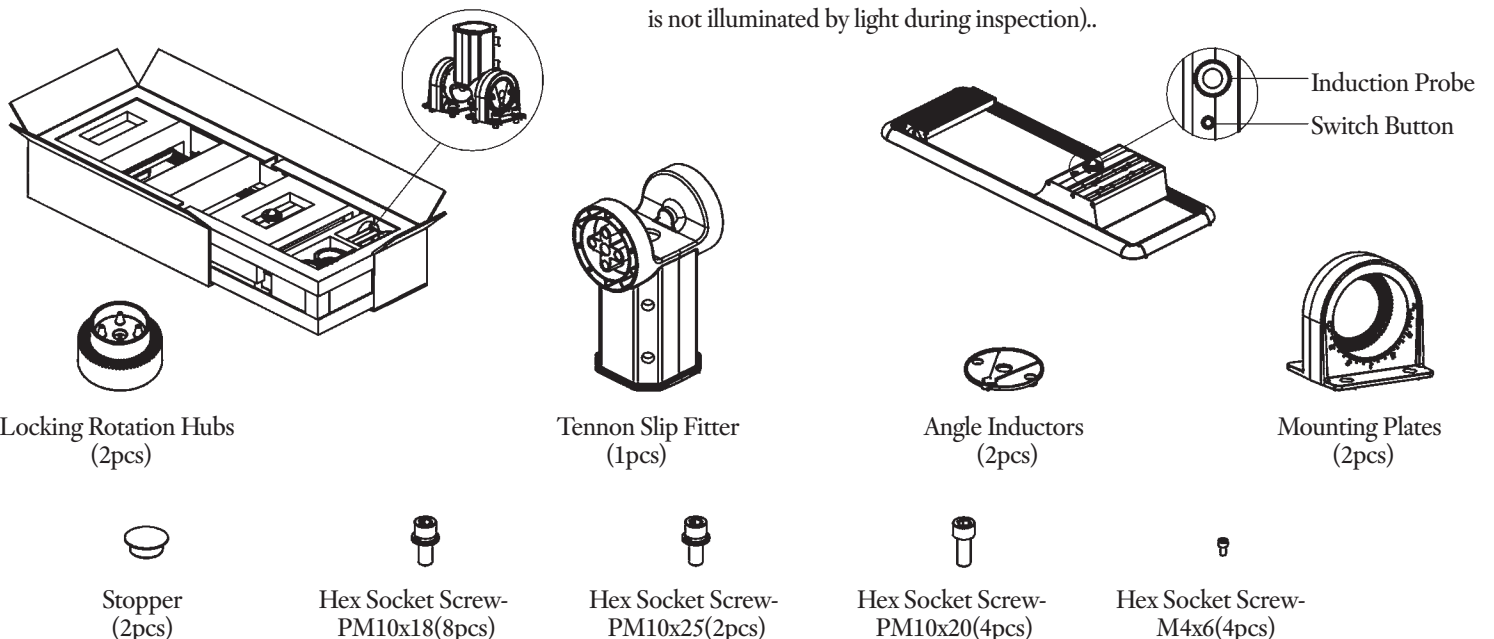
To avoid the risk of fire, explosion, or electric shock, this product should be installed, inspected, and maintained by a qualified electrician only, in accordance with all applicable electrical codes.

- Do not operate in ambient temperatures above those indicated on the luminaire nameplate.
- Avoid to use in environments containing sulfur, chlorine, or other halides, methyl acetate or ethyl acetate, cyanoacrylates, glycol ethers, formaldehyde or butadiene.

Before Installation

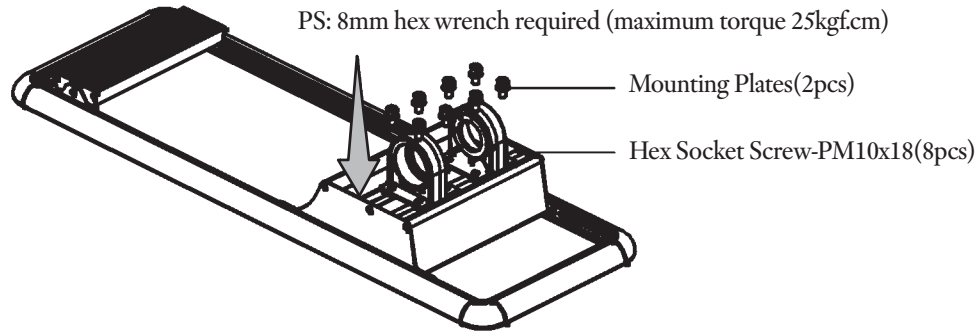
1. Check whether the appearance of the light is intact (mainly solar panels) and whether the accessories are complete.

2. Check whether the performance of the light is intact. Press the light switch button and wait 5 seconds for the lamp to light up (note: ensure that the solar panel is not illuminated by light during inspection)..

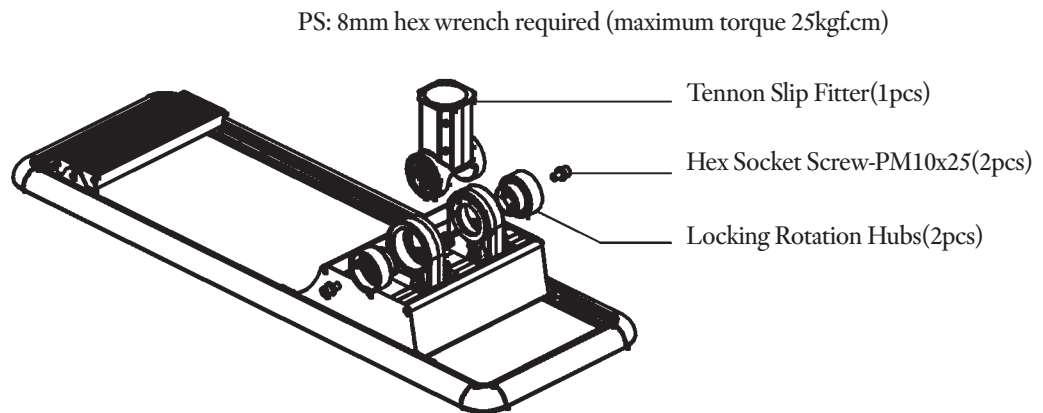


Slip Filter Installation

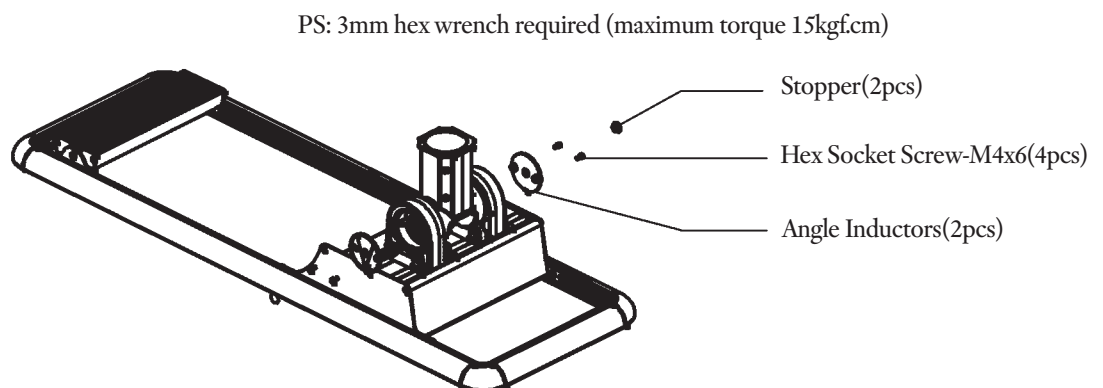
1. Install the mounting Plates-1, as shown in the figure. Secure the reinforcing them to the base using the screws listed below.
Note: There is a scale facing outward.



2. Slide the tennon-3 into the mounting plates-1, insert the locking rotation hubs-2 into the side of the tennon-3, and fix the tennon-3 with screws.
Note: Locking rotation hubs- 2 has the notched side facing the luminaire.

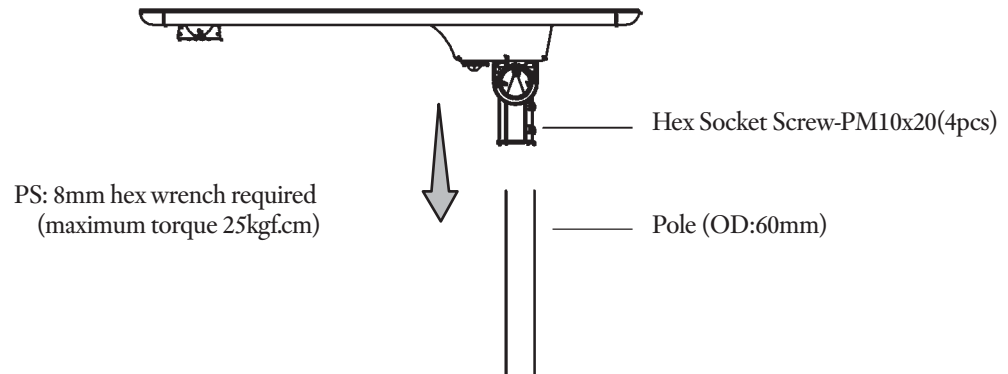


3. Slide the angle inductor-4 into the locking rotation hubs-2, secure it with screws, and plug the hole in the angle inductor-4 with a silicone stopper.
Note: The arrow of the angle inductors -4 points to the luminaire.

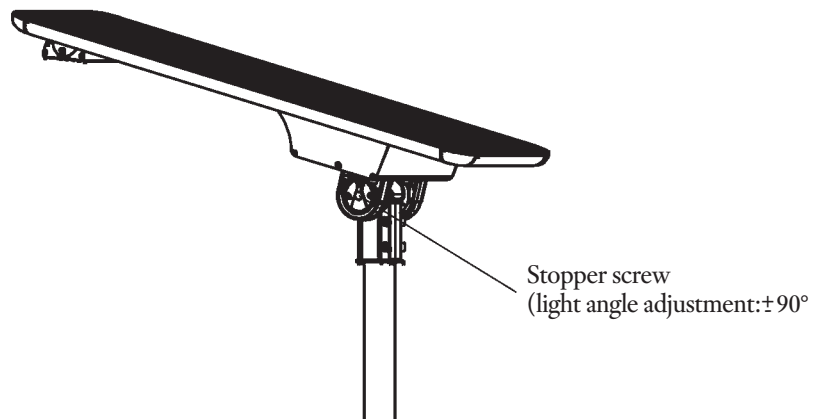


Fixture Installation

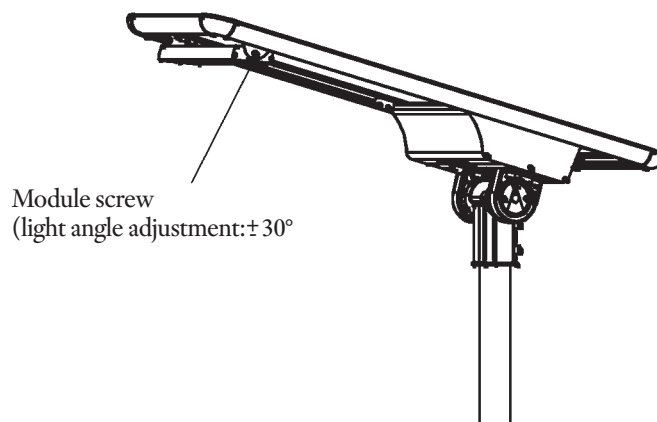
1. Insert the light into the pole as shown in the figure, adjust the Angle between the light and the road, make the lamp shine on the road and tighten the screws.



2. Remove the stopper as shown in the picture, loosen the screw, adjust the elevation Angle of the light, so that the solar panel can receive maximum sunlight exposure and tighten the screw. Note: When adjusting the elevation Angle of the light, hold the end of light by hand and adjust the Angle slowly.

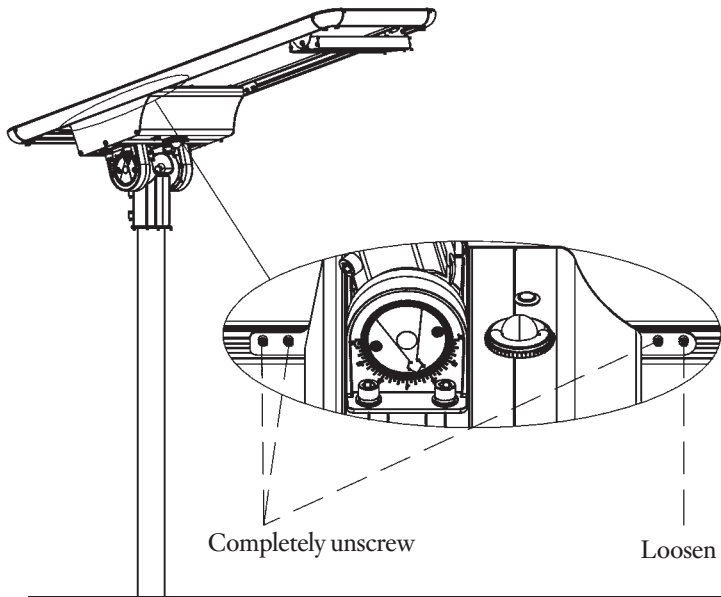


3. As shown in the figure, loosen the fixing screw of the module, adjust the Angle of the module to the appropriate Angle and tighten the screw.

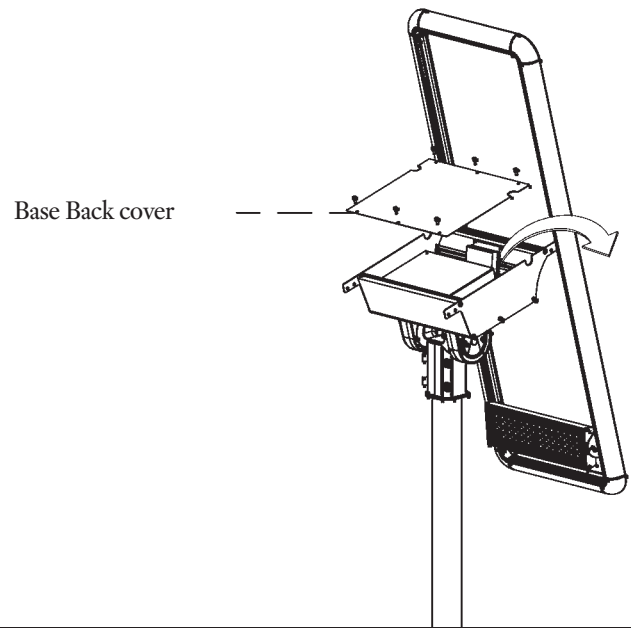


Battery Pack Maintenance

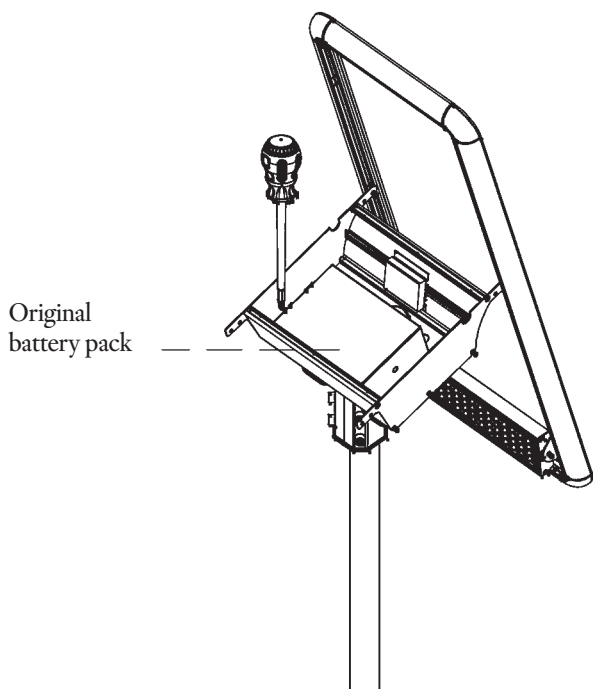
1. Loosen the fixing screws of the lamp base.



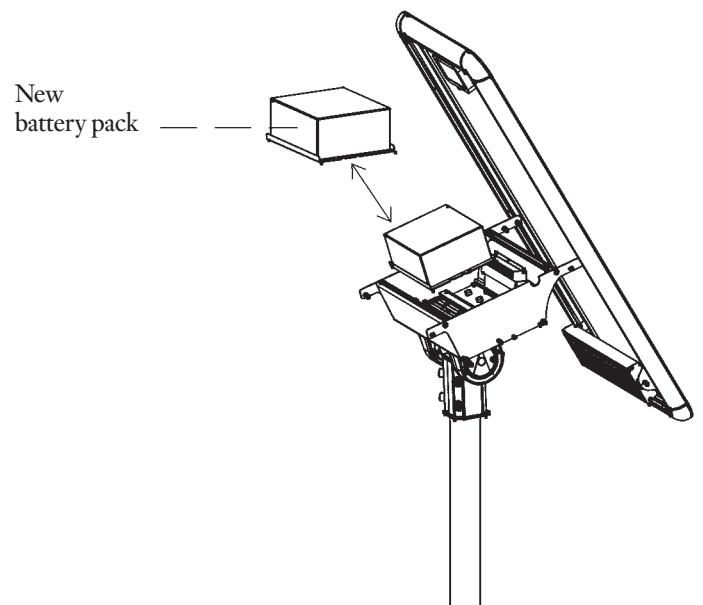
2. Rotate the light fixture apart as shown and remove the back cover of the base.



3. Loosen the battery pack fixing screws.



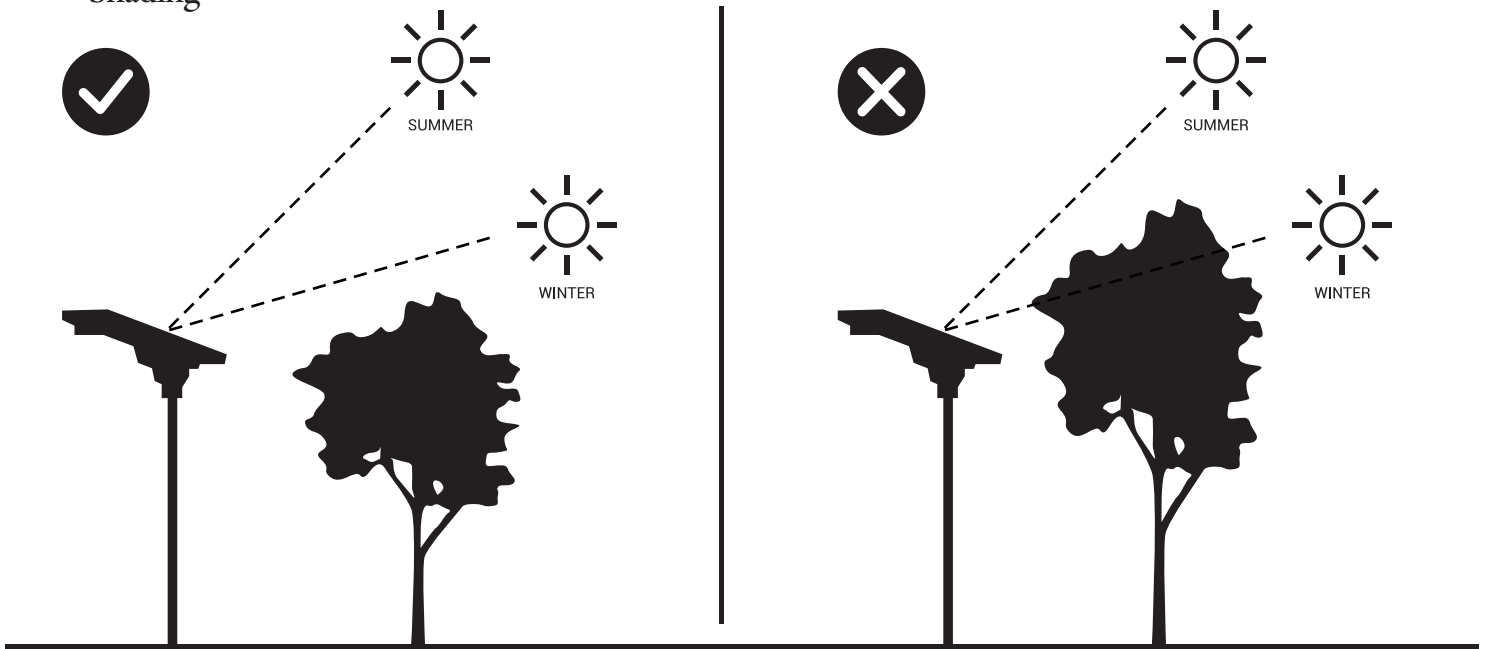
4. Remove the original battery pack and install the new battery pack into the base of the lamp fixture to complete the full assembly.



Remark

1. The installation position of solar lamps needs to be in the direction of the solar panel surface to the sun, and there is no shelter such as leaves and houses.

Shading



2. The installation position of solar light should not be illuminated by other fixtures.

Light Pollution

