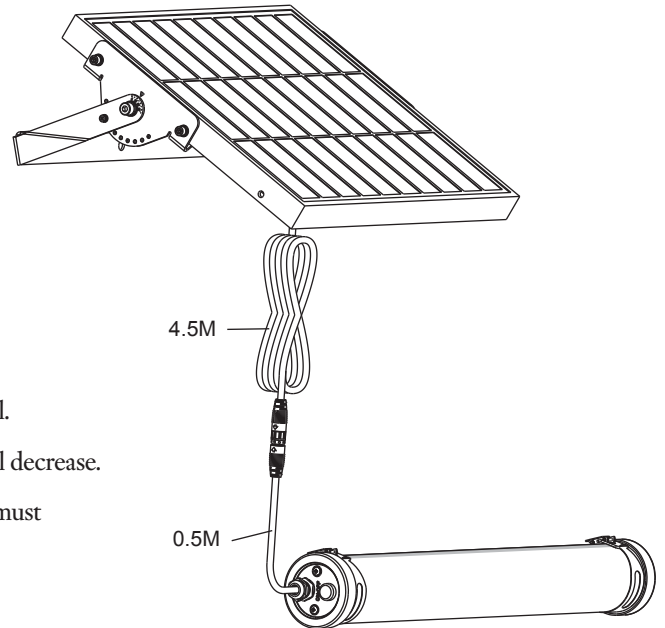


INSTALLATION MANUAL



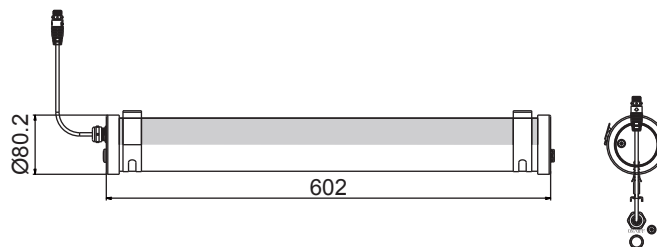
WARNING

- Install the solar panel on a sun-facing roof or wall with an adjustable tilt angle.
- Before first use, please charge the product in sunlight for 8 hours.
- This product requires no connection to mains electricity or any other power supply - it operates 100% on solar energy.
- Dusk/dawn detection is based on the light intensity received by the solar panel.
- When ambient temperature drops below 0°C, the backup battery capacity will decrease.
- The product can be stored for up to 6 months. If storing beyond 6 months, it must be recharged in sunlight to avoid affecting battery life.
- Clean the luminaire regularly if using it in heavy dust or oil gas area.

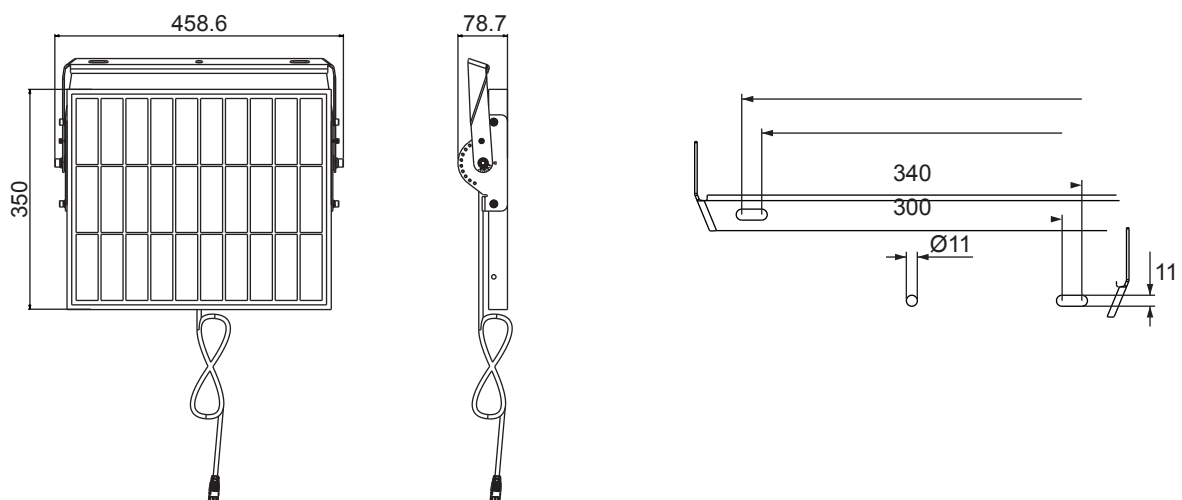


Dimension

Unit: mm
Luminaire

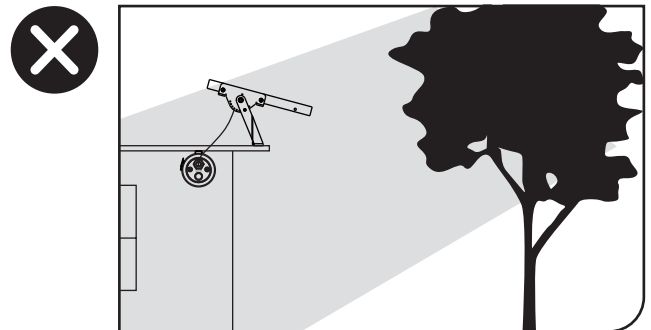
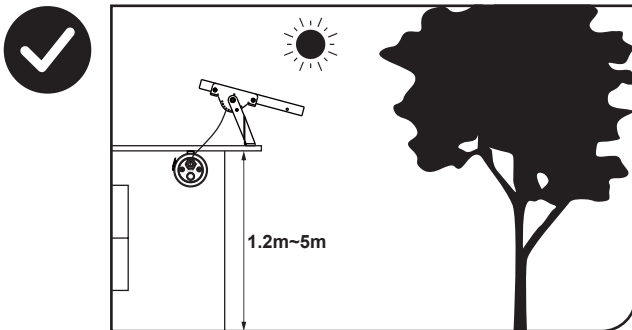
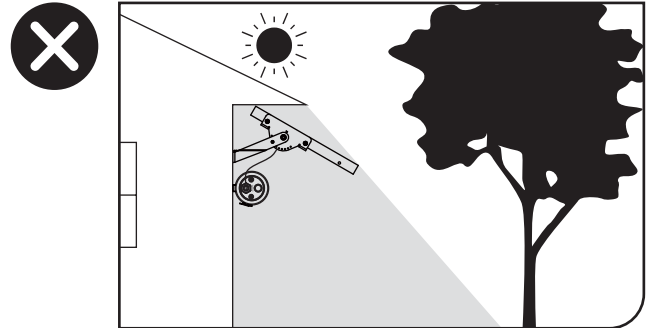
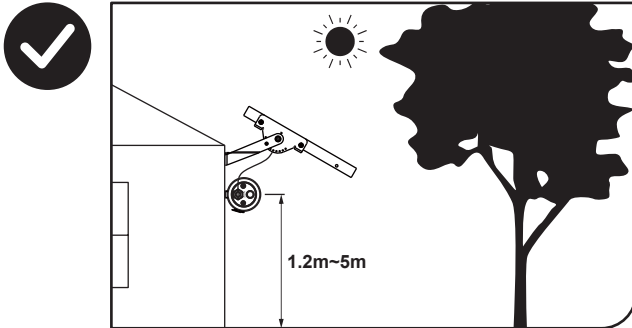


Solar Panel



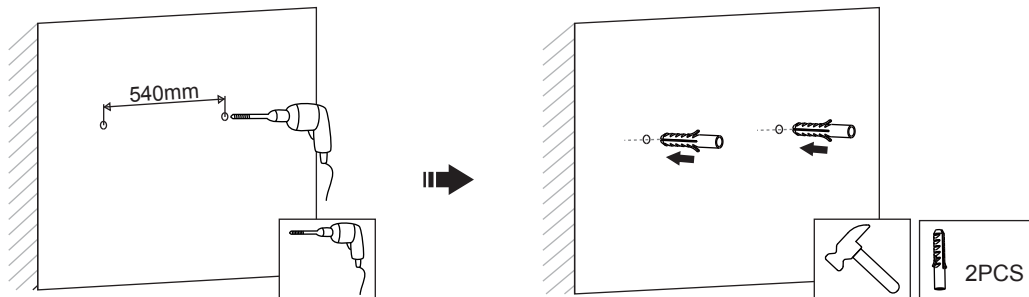
Installation Suggestions

*Please install the solar panel in a sunny place, not shaded by trees and buildings, to avoid charging failure.

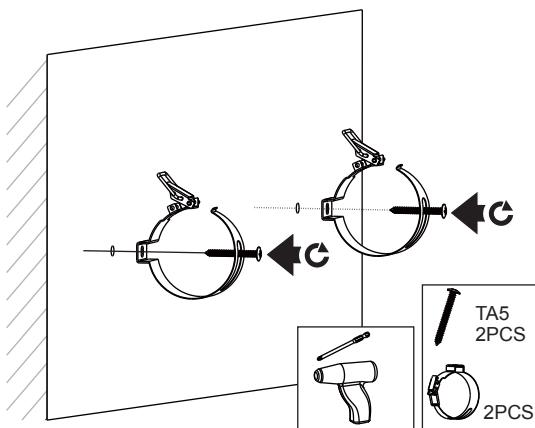


Installation-Luminaire

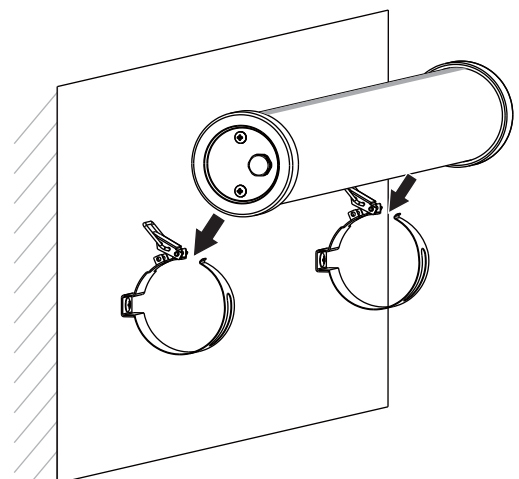
1. ✂



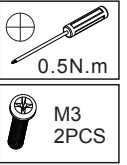
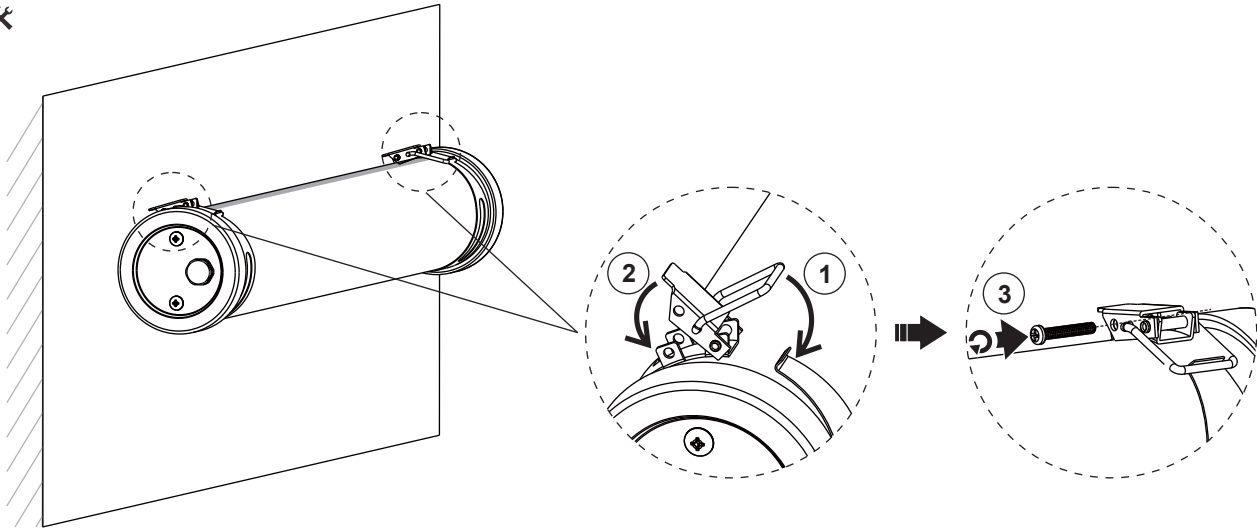
2. ✂



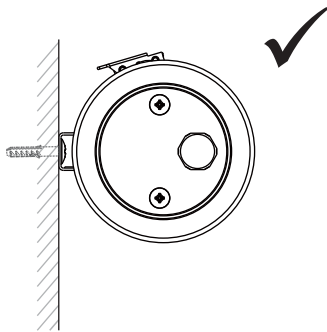
3. ✂



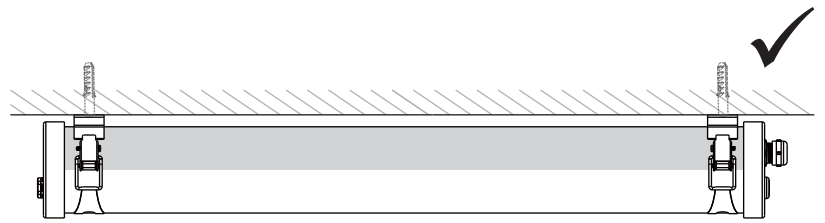
4. ✂



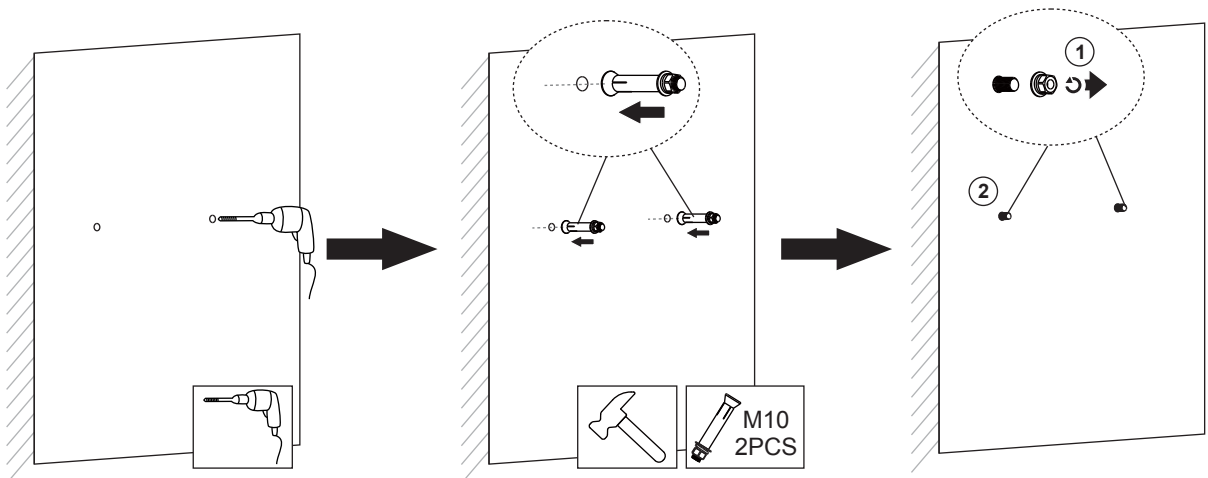
5. ✂ Wall Mounting



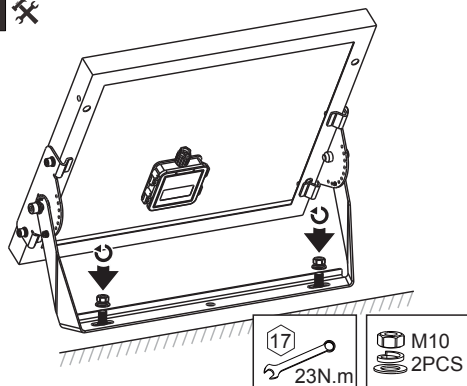
Ceiling mounting



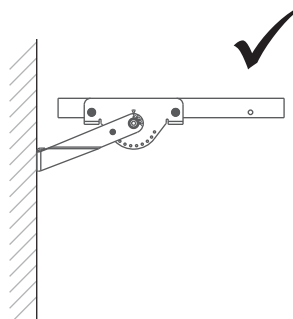
1. ✂ Installation-Solar Panel



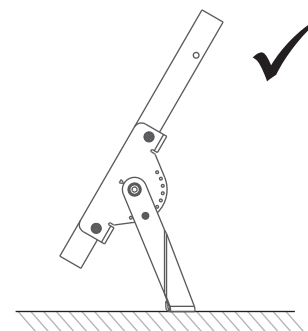
2. ✂



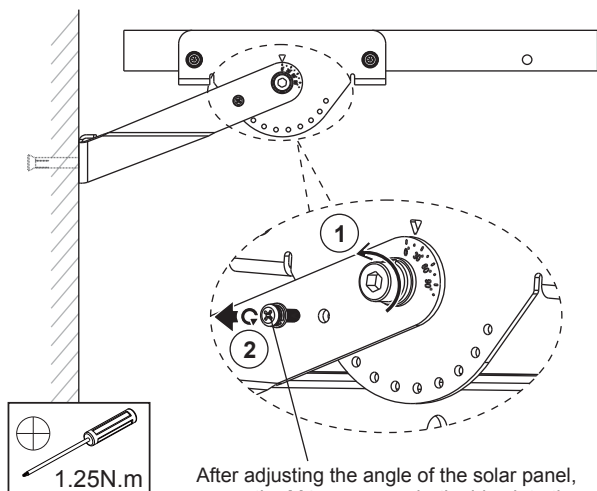
3. ✂ Wall Mounting



Roof Mounting

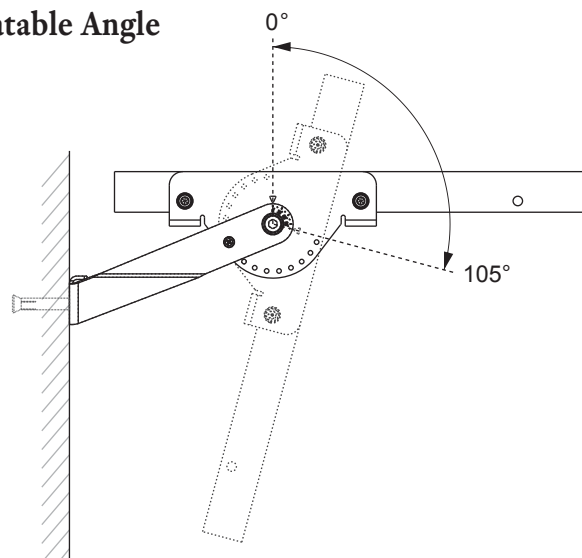


4. ✂

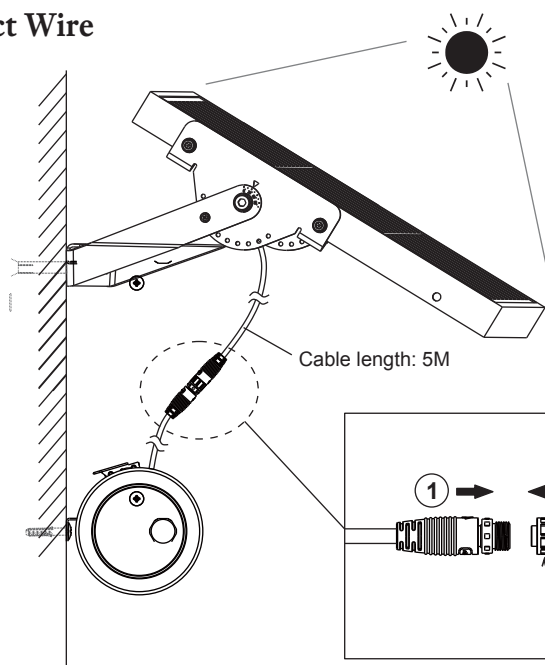


After adjusting the angle of the solar panel, screw the M4 screws on both sides into the corresponding screw holes.

Rotatable Angle



5. ✂ Connect Wire



Suggested installation height 1.2~5M

Cable length: 5M

Press the ON/OFF button to activate the lamp

