

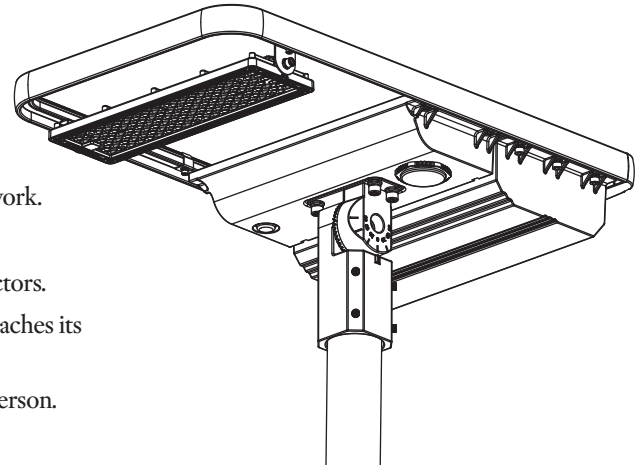
# Hybrilux

## SL20-SOLAR SAIL

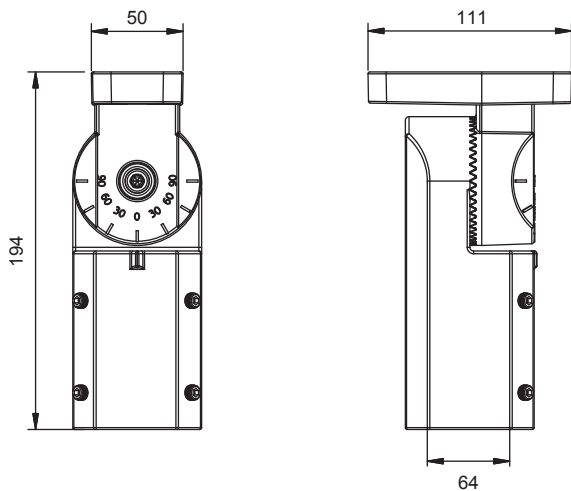
### INSTALLATION MANUAL

#### WARNING

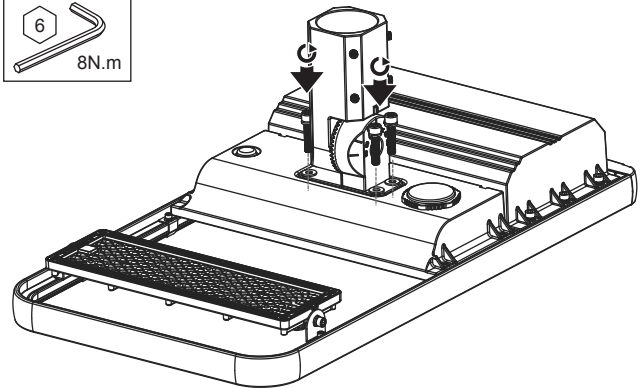
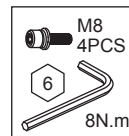
- Turn off power supply before installation or before doing any maintenance work.
- Clean the luminaire regularly if using it in heavy dust or oil gas area.
- Microwave sensor should keep away from large areas of metal and glass reflectors.
- The light source of this luminaire is not replaceable; when the light source reaches its end of life the whole luminaire shall be replaced.
- Terminal block not included. Installation must be performed by a qualified person.



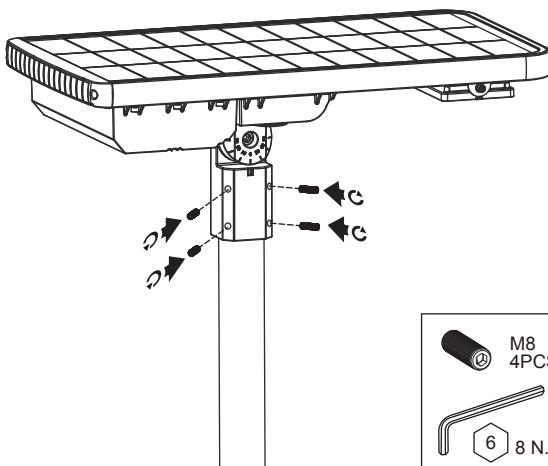
#### Adaptor installation (Unit: mm)



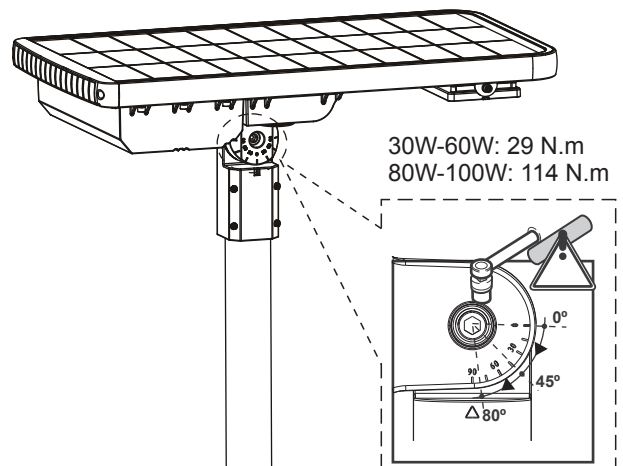
#### 1.

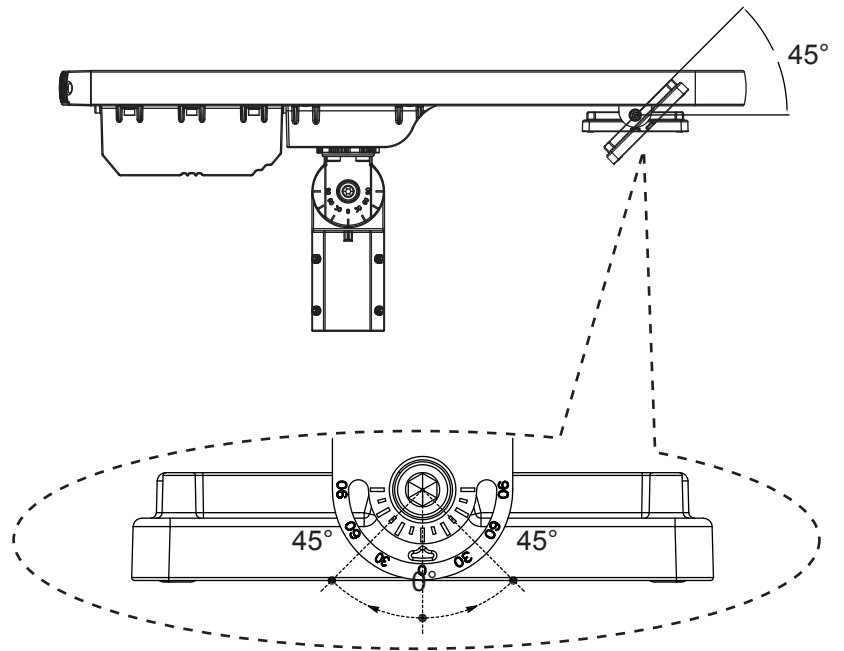
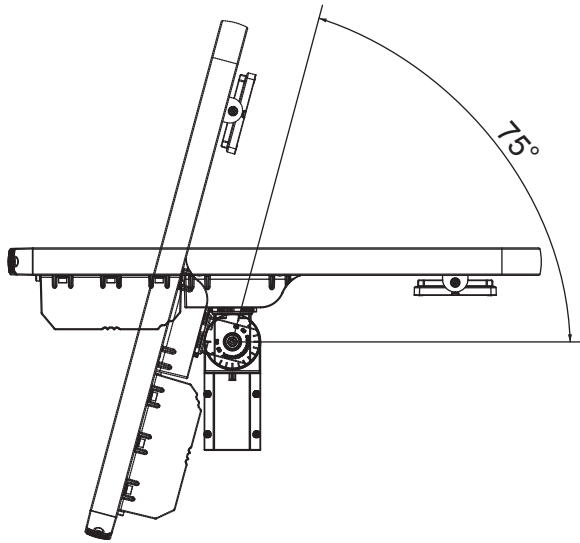


#### 2.



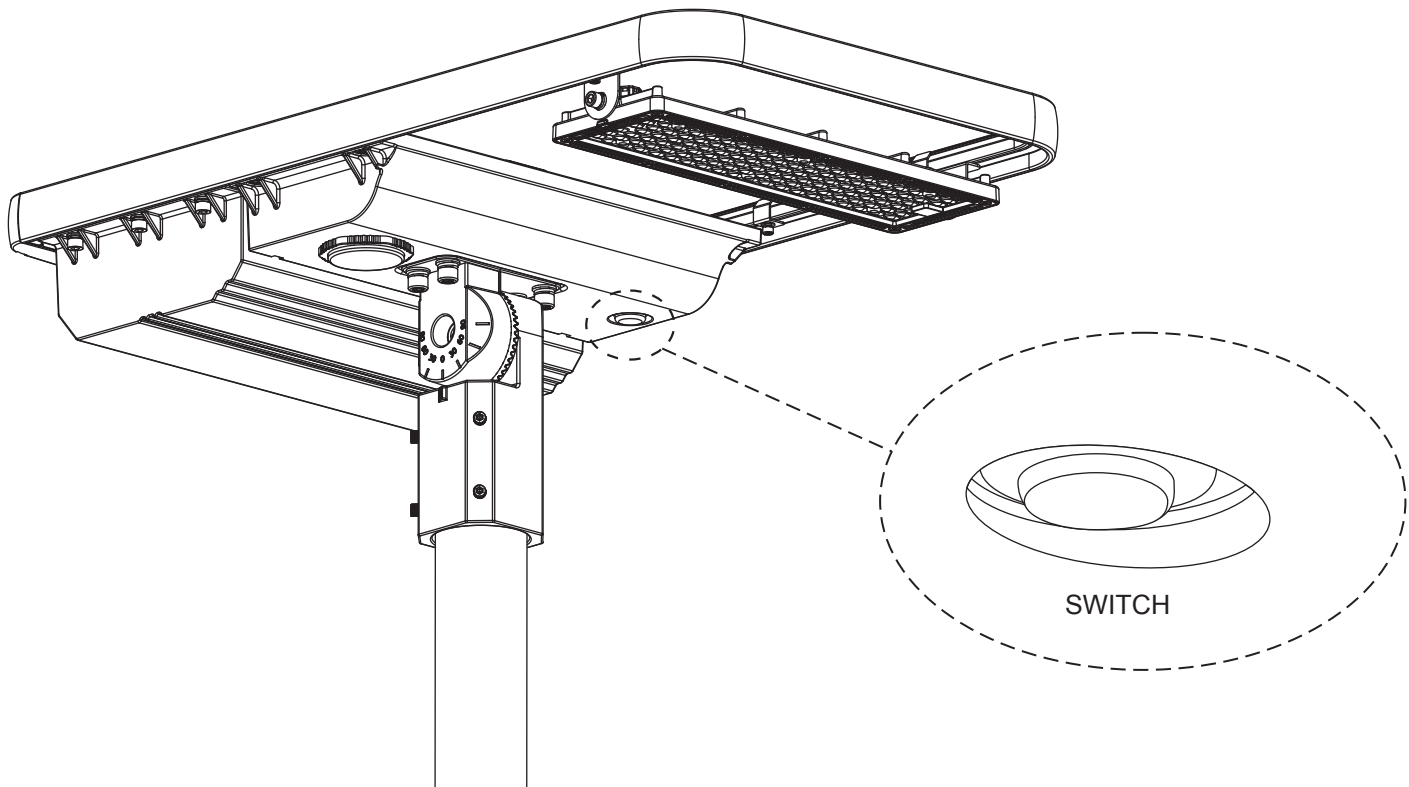
#### 3.





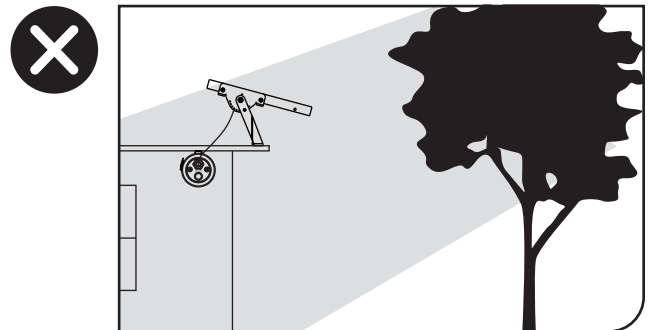
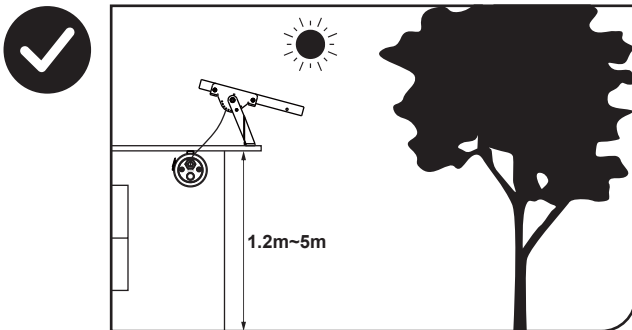
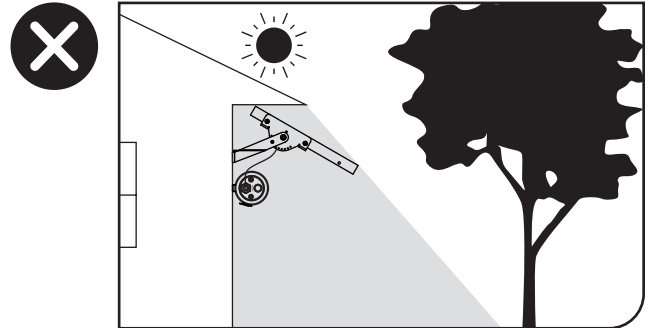
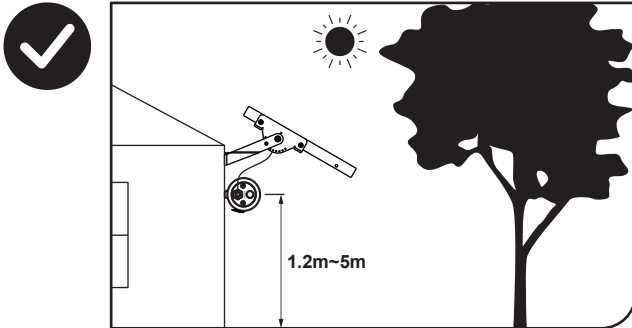
#### 4. ✂

After installation, please press the switch button for 5 seconds to activate the light.

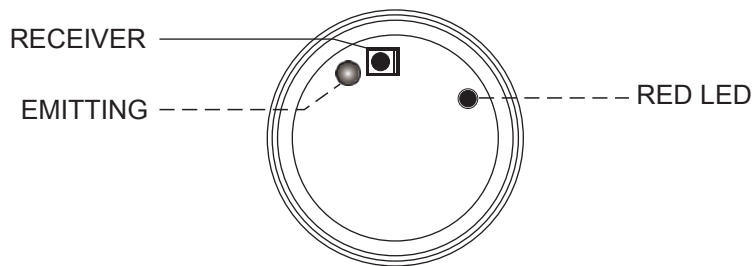


### Installation Suggestions

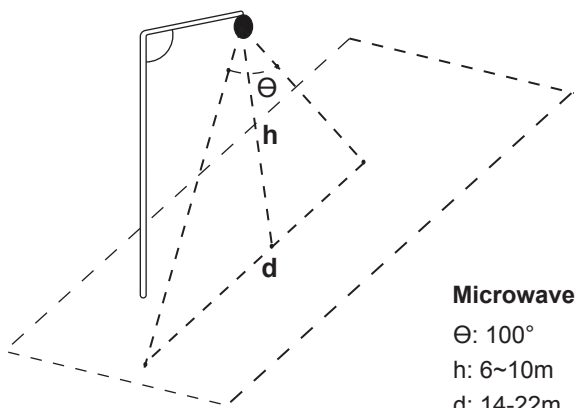
\*Please install the solar panel in a sunny place, not shaded by trees and buildings, to avoid charging failure.



### Microwave motion sensor



#### 1. Sensing distance



#### 2. Microwave sensor indicator status (Red LED)

Controller Status	Indicator status
Normal charging	1s cycle flashing
Normal working	ON
Alarm message exists	0.5s cycle flashing
Machine standby	2s cycle flashing