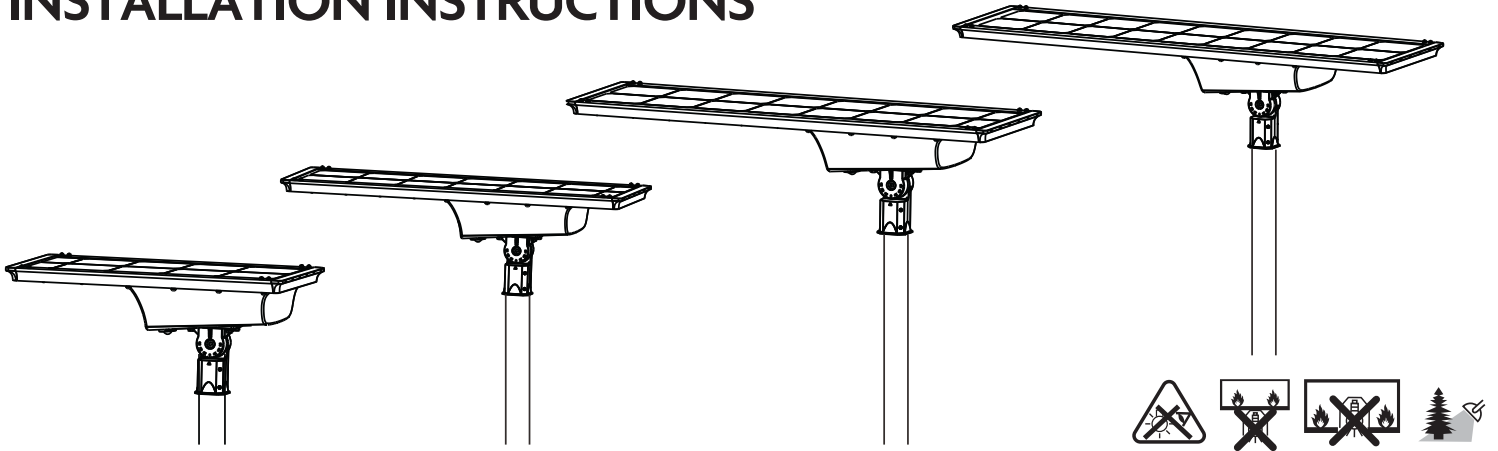
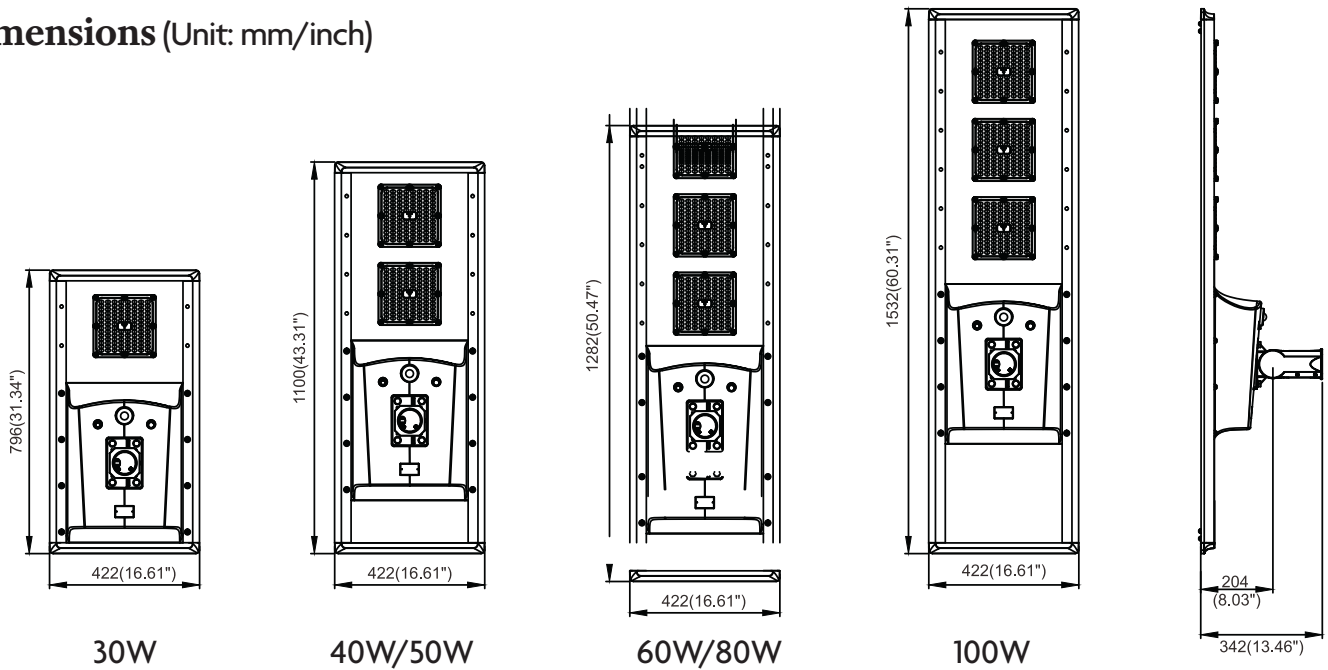


INSTALLATION INSTRUCTIONS

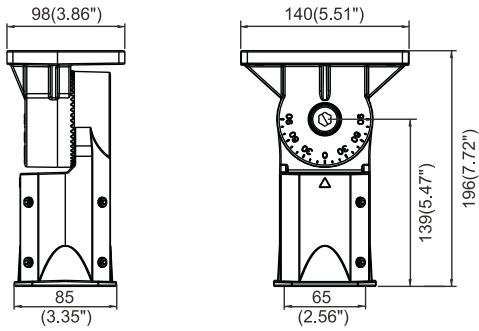


Dimensions (Unit: mm/inch)

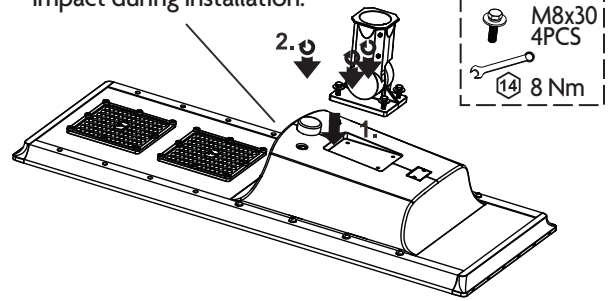


Product Specifications	30W	40W/50W	60W/80W	100W
Outlook Dimensions	796x422x342mm (31.34"x16.61"x13.46")	1100x422x342mm (43.31"x16.61"x13.46")	1282x422x342mm (50.47"x16.61"x13.46")	1532x422x342mm (60.31"x16.61"x13.46")
Luminaire Net weight	13.5±0.3kg (29.7±0.66Lbs)	16.5±0.3kg (36.38±0.66Lbs)	17±0.3kg (37.48±0.66Lbs)	21.5±0.3kg (47.40±6.99Lbs)
Projected Area	0.403m ² (4.34ft ²)	0.557m ² (6ft ²)	0.649m ² (6.99ft ²)	0.776m ² (8.35ft ²)
Working Temperature	0° to +50 °C (32 °F to +122 °F)			
Storing Temperature	-20° to +60 °C (-4 °F to +140 °F)			

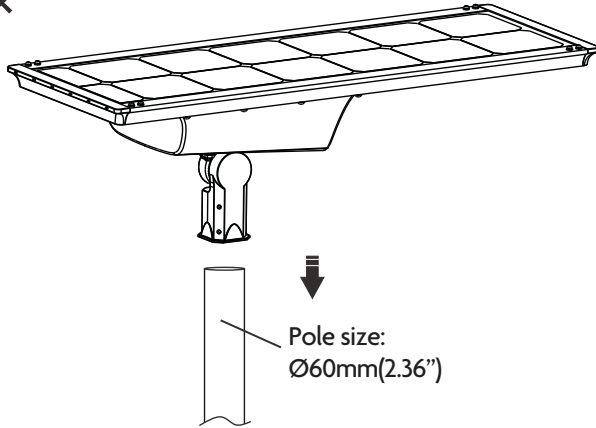
Adaptor Installation (Unit: mm/inch)



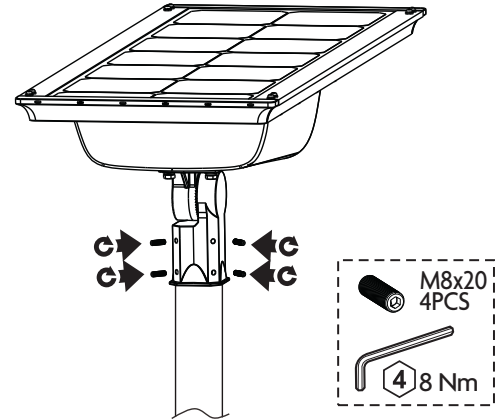
1. ✘ Please protect the sensor from impact during installation.



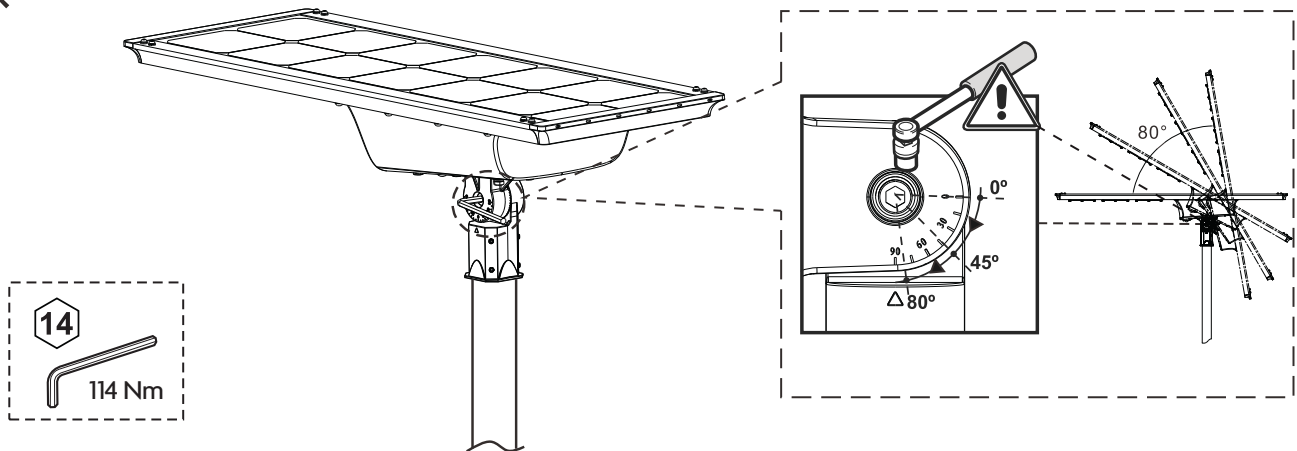
2. ✘



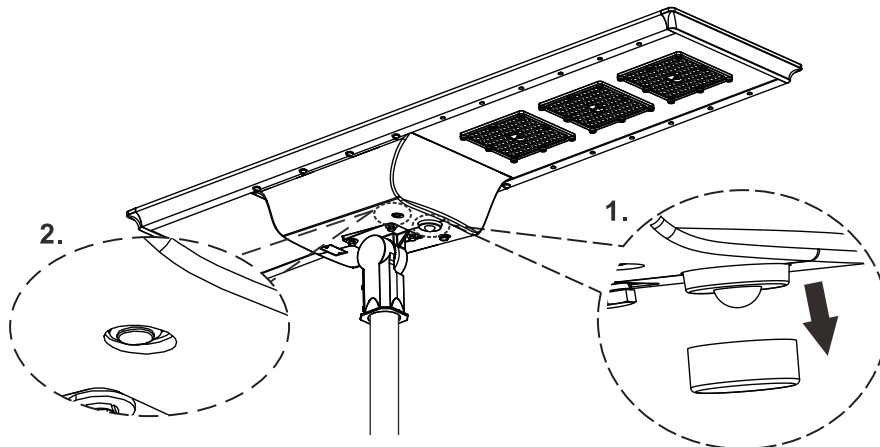
3. ✘



4. ✘

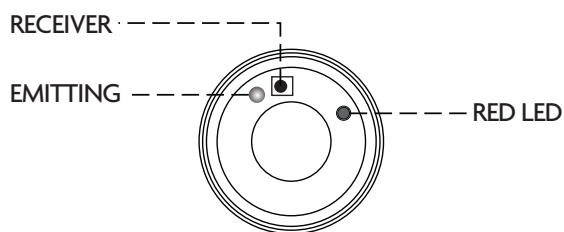
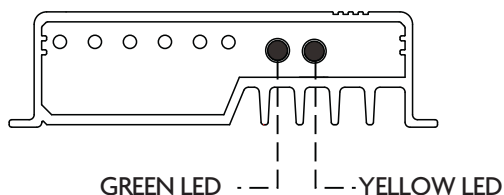


5. ✘ After installation, please remove the protective cover and press the button to activate the light.



•The light source contained in this luminaire shall only be replaced by the manufacturer or their service agent or other qualified person.

Led Indications And Faults & Alarms



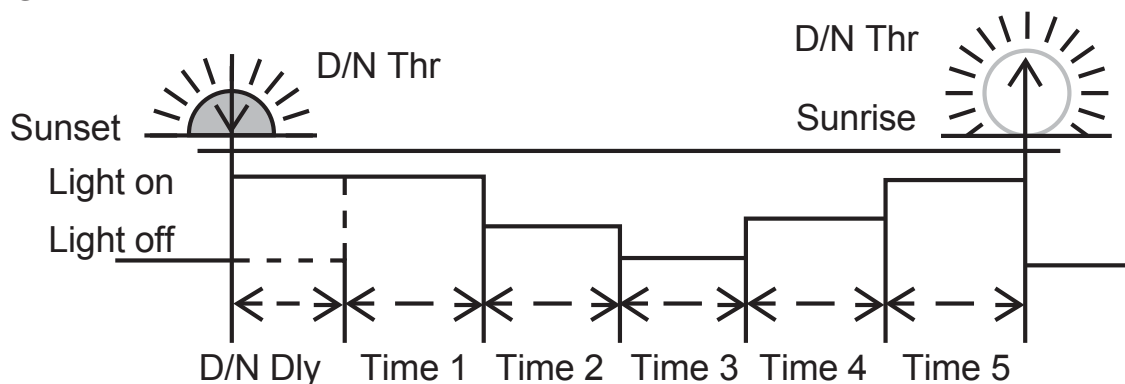
Led Display Explanation

LED	Status	Function
Green LED	On	Solar panel is correctly connected, but not charged
	Fast flash (0.1/0.1s)	MPPT charging
	Slow flash (0.5s/2s)	Charging
Yellow LED	Off	Over voltage protection
	On	Battery is normal
	Slow flash (0.5s/2s)	Battery voltage is low
	Fast flash (0.1/0.1s)	Low voltage protection
Red LED	Slow flash (2.5/2.5s)	Work normal
	On	The output power is 0.
	Slow flash (0.2s/5s)	Open circuit or *1 Hardware protection
	Fast flash (0.1s/0.1s)	Short circuit or *2 Over current protection
	Flash (0.5s/0.5s)	Over temperature

*1. If the controller is in transport mode, the red LED is super slow flash (0.2s on/5s off), the green and yellow LED is off.

*2. Detailed fault information can be read by S-Unit remote controller.

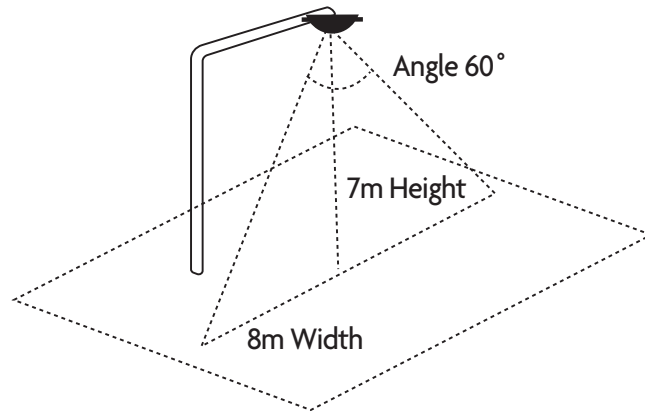
5 Stage Night Mode



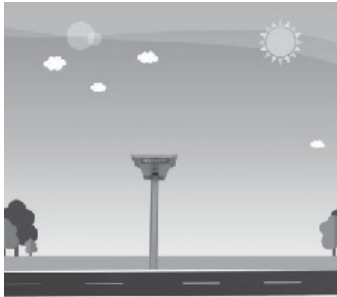
*Please note the sensor function is only available at Time 3 and Time 4.

*You can set the timer and dimming features manually by remote control to one of five settings.

PIR Sensor Detect Areas



Factory Default Setting



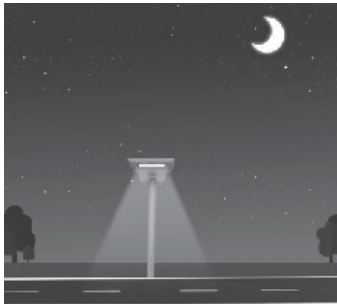
The lamp will continue to charge as long as there is sufficient natural lighting.



The lamp will stay at 100% brightness for 0.5 hour.



Within the first 4 hours, if motion is detected, the lamp will maintain 50% brightness.



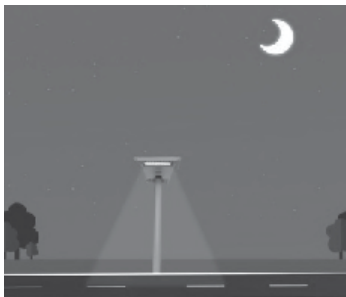
Within the first 4 hours, if no motion is detected for 30 seconds, the lamp will maintain 10% brightness.



Within the second 4 hours, if motion is detected, the lamp will maintain 20% brightness.



Within the second 4 hours, if no motion is detected for 30 seconds, the lamp will maintain 10% brightness.



The lamp will continue to maintain 10% brightness for another 3 hours or until the sun rises.

The controller recognizes day and night based on the Solar Array Open Circuit Voltage, this day/night threshold can be modified according to local light conditions and the Solar Array Used, setting range 3.0-8.0V
For more details, Please refer to the controller and remote control specification sheet.