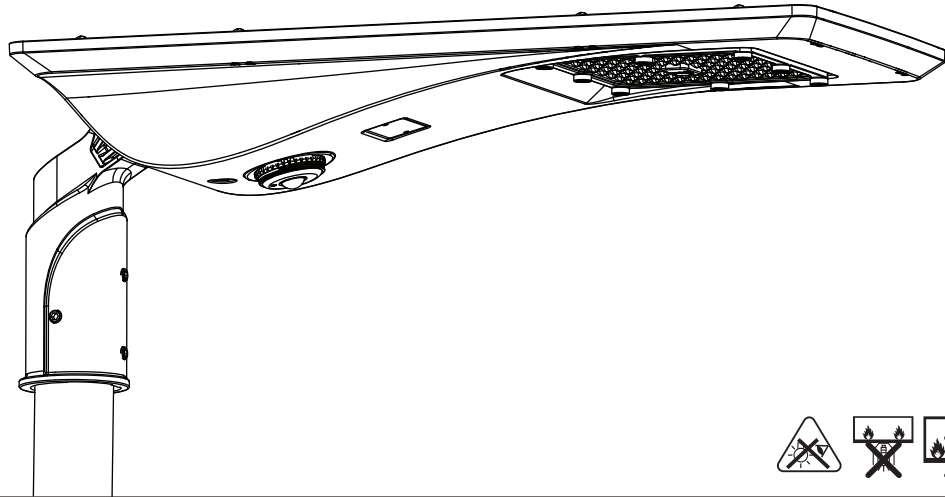


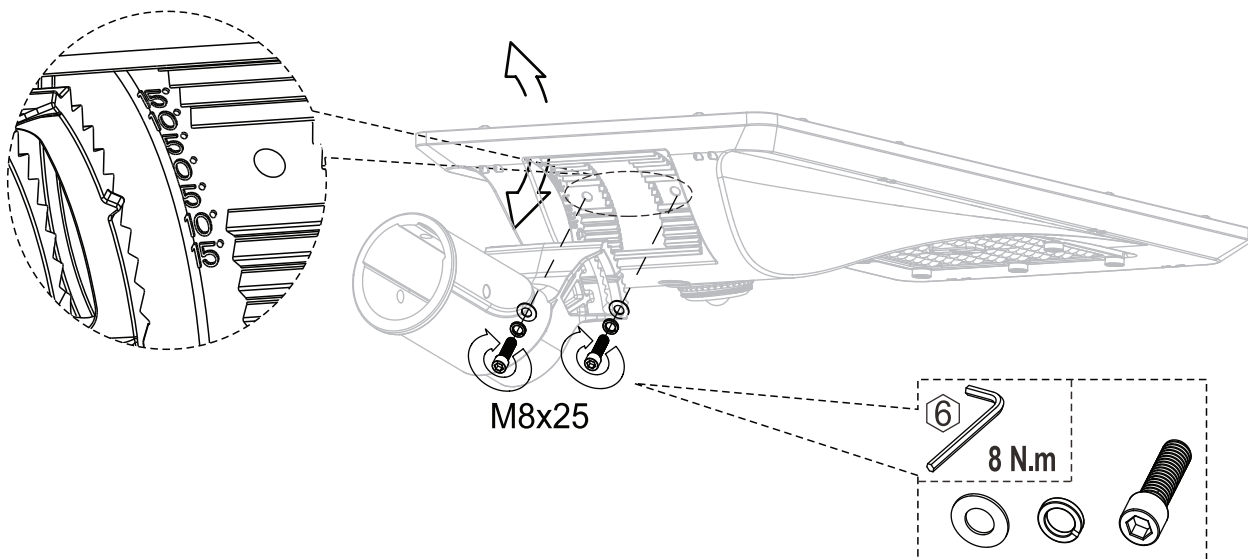
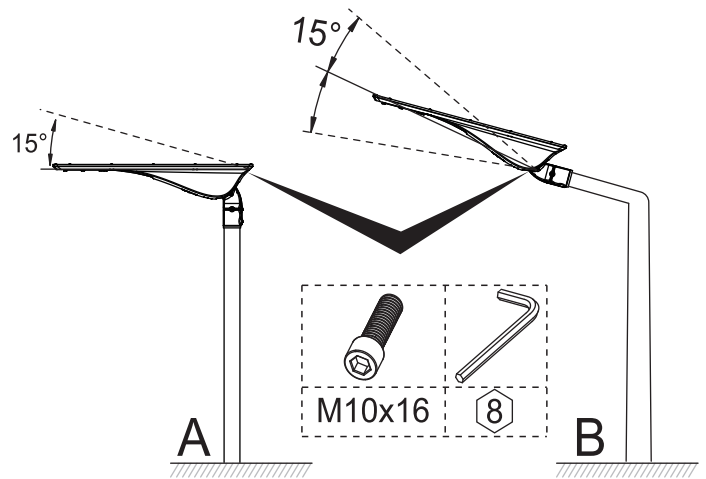
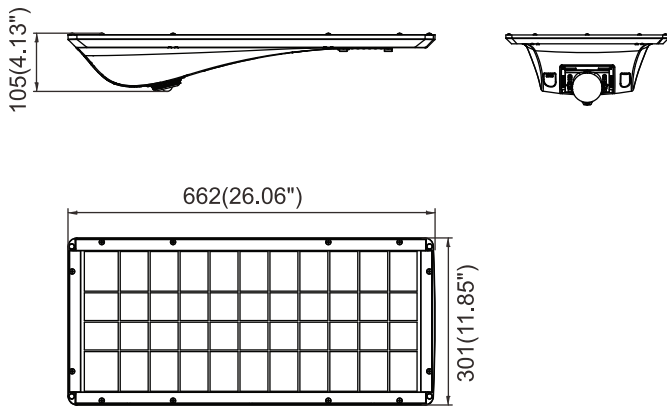
# Hybrilux

SL05 10/20/30W SOLAR FIN

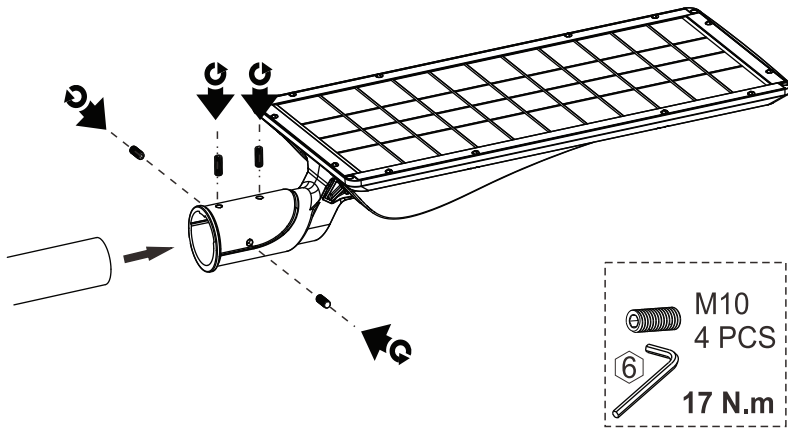
## INSTALLATION INSTRUCTIONS



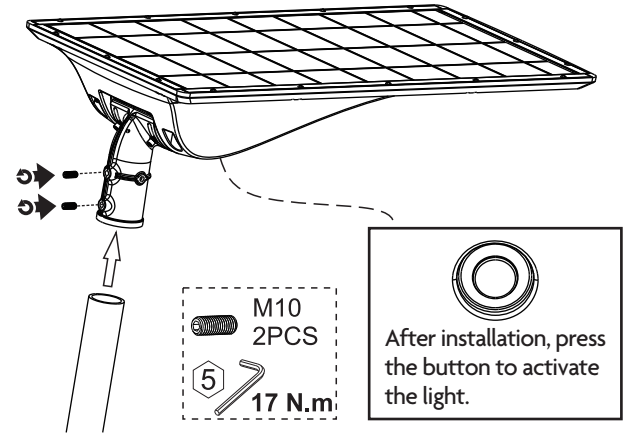
### Dimensions (Unit: mm/inch)



## Side Side Mount

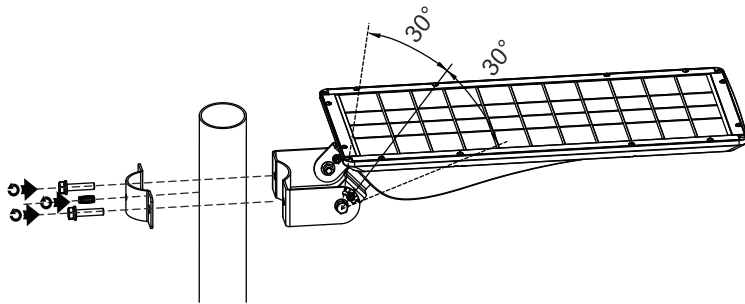


## Post Top Mount

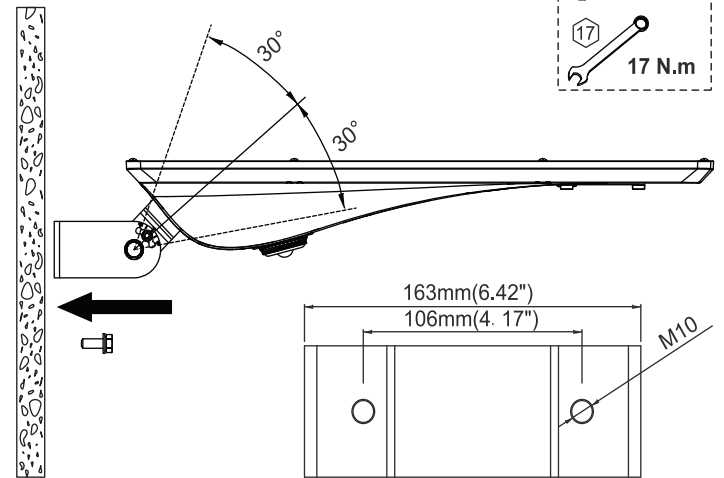


## Clamp Bracket Mount

Available for 60/76 mm pole

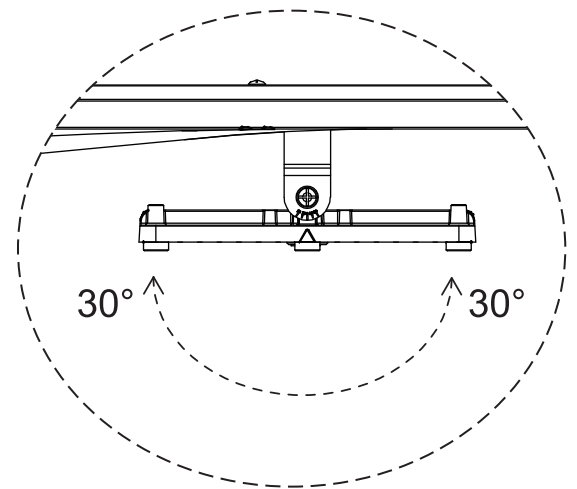
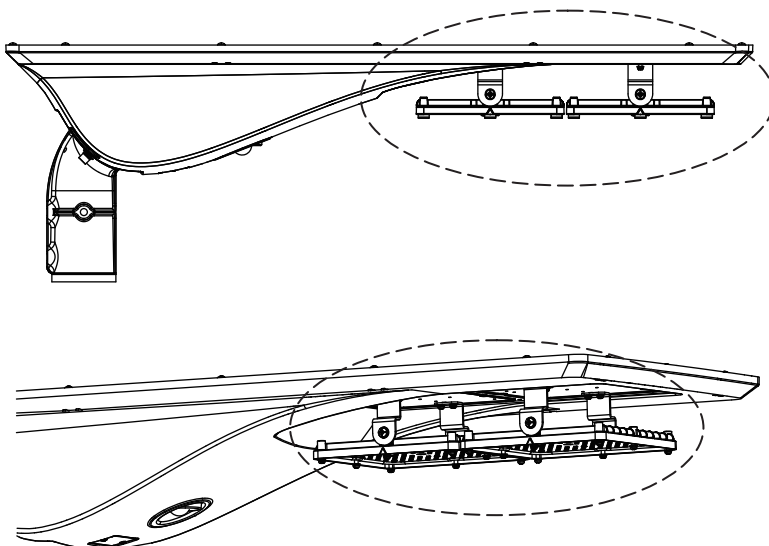


## Side Mount

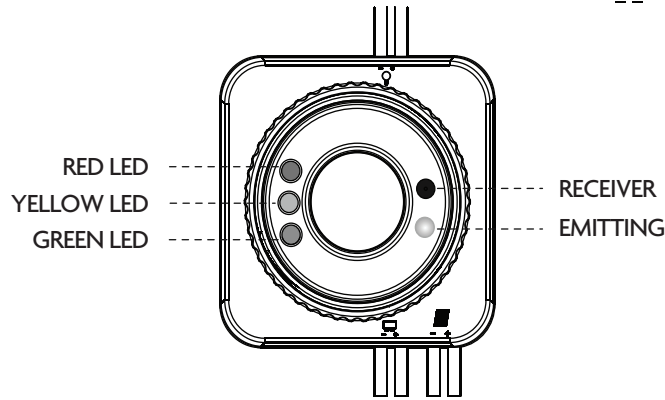


## Adjustable LED Module (Optional)

Installation of the adjustable LED module allows for a 30° tilt of the light modules for more directional light control.



# Led Indications And Faults & Alarms



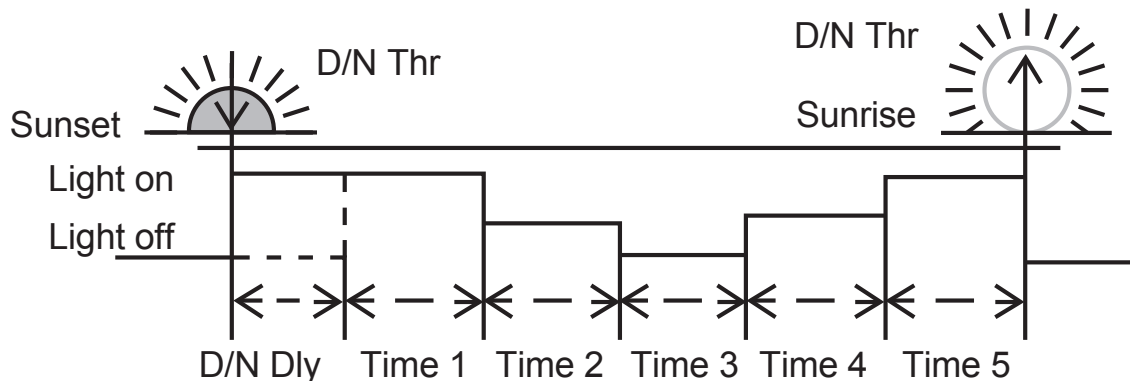
## Led Display Explanation

LED	Status	Function
Green LED	On	not charging
	Slow flash (0.5s/2s)	Charging
Yellow LED	Off	Over voltage protection
	On	Battery is normal
	Slow flash (0.5s/2s)	Battery voltage is low
	Fast flash (0.1/0.1s)	Low voltage protection
Red LED	Slow flash (2.5/2.5s)	Work normal
	On	The output power is 0.
	Fast flash (0.1s/0.1s)	Open circuit or *1 Hardware protection
	Flash (0.5s/0.5s)	Short circuit or *2 Over current protection
	Super Slow Flash (0.2s on/5s off)	Open circuit or transport mode. *1

\*1. If the controller is in transport mode, the red LED is super slow flash (0.2s on/5s off), the green and yellow LED is off.

\*2. Detailed fault information can be read by S-Unit remote controller.

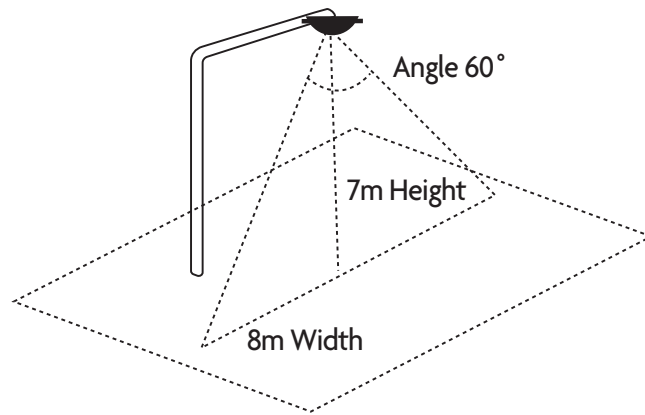
## 5 Stage Night Mode



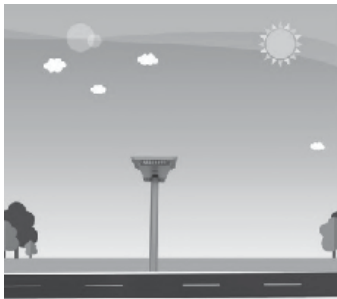
\*Please note the sensor function is only available at Time 3 and Time 4.

\*You can set the timer and dimming features manually by remote control to one of five settings.

# PIR Sensor Detect Areas



## Factory Default Setting



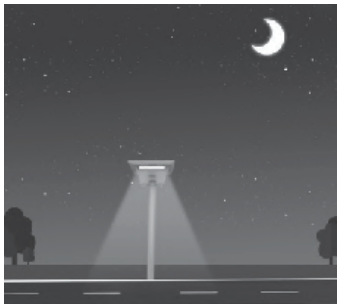
The lamp will continue to charge as long as there is sufficient natural lighting.



The lamp will stay at 100% brightness for 0.5 hour.



Within the first 4 hours, if motion is detected, the lamp will maintain 50% brightness.



Within the first 4 hours, if no motion is detected for 30 seconds, the lamp will maintain 10% brightness.



Within the second 4 hours, if motion is detected, the lamp will maintain 20% brightness.



Within the second 4 hours, if no motion is detected for 30 seconds, the lamp will maintain 10% brightness.



The lamp will continue to maintain 10% brightness for another 3 hours or until the sun rises.

The controller recognizes day and night based on the Solar Array Open Circuit Voltage, this day/night threshold can be modified according to local light conditions and the Solar Array Used, setting range 3.0-8.0V  
For more details, Please refer to the controller and remote control specification sheet.