

INSTALLATION AND MAINTENANCE MANUAL

Introduction

Using only the highest quality components, the Smart Solar Sail Plus Series LED Light Fixture is designed for industrial applications where reliability and performance are critical as the bulb maintenance is difficult or impossible, not to mention the high cost.

Every component of the Smart Solar Sail Plus Series LED Light Fixture has been carefully engineered to provide the most reliable performance and bring across many benefits of utilizing solid state lighting technology in industrial applications. The Smart Solar Sail Plus Series LED Light Fixture is rated IP66.

Product Features:

- Multiple choice of optical lenses
- Patented thermal management allows -20°C to 60°C ambient working temperature
- System light efficacy 200 lm/W
- 5 years warranty
- Easy installation and maintenance



WARNING

To avoid the risk of fire, explosion, or electric shock, this product should be installed, inspected, and maintained by a qualified electrician only, in accordance with all applicable electrical codes.

- Do not operate in ambient temperatures above those indicated on the luminaire nameplate.
- Avoid to use in environments containing sulfur, chlorine, or other halides, methyl acetate or ethyl acetate, cyanoacrylates, glycol ethers, formaldehyde or butadiene.

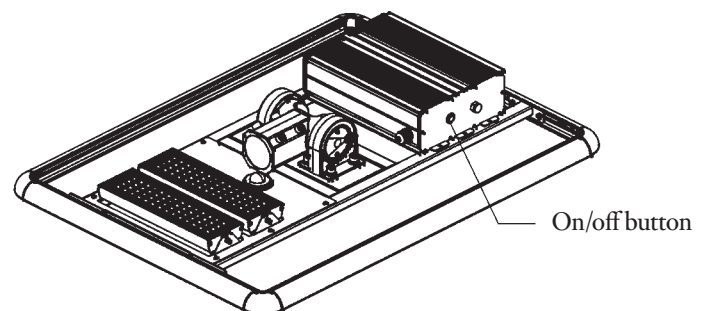
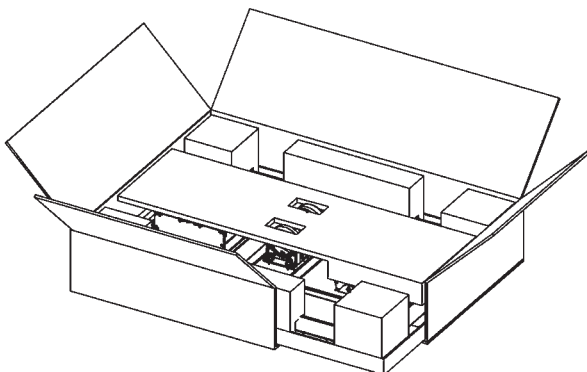
Installation

For high performance and long term reliability, the light should be installed in free air.

Inspection

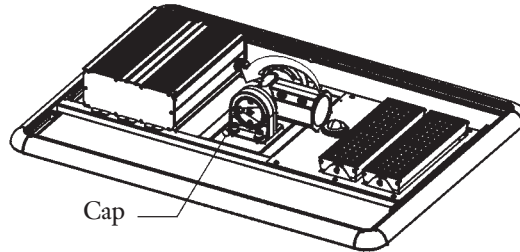
1. Check whether the appearance of the light is intact (mainly solar panels) and whether the accessories are complete.

2. Check whether the performance of the light is intact. Press the light switch button and wait 5 seconds for the lamp to light up (note: ensure that the solar panel is not illuminated by light during inspection)..



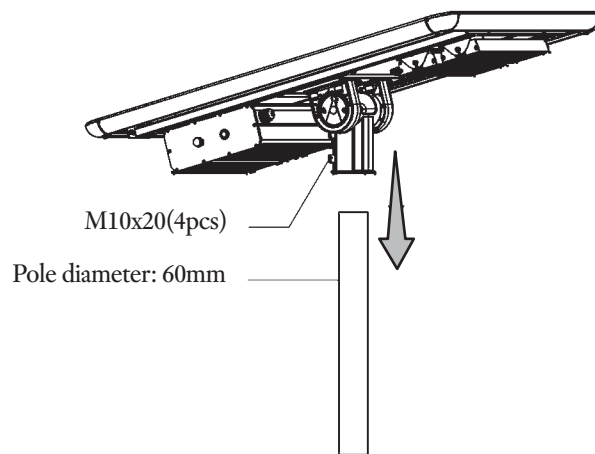
Fixture Installation

1. Take off the cap on the slip fitter adjust the beam angle of the slip fitter and fasten the screws.



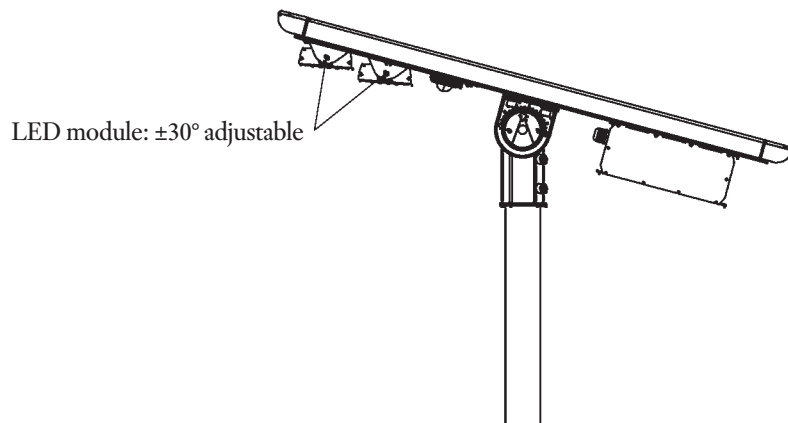
PS: 8mm Allen wrench required
(maximum torque 25kgf.cm)

2. Insert the light into the pole and adjust the angle between the light and the road so that the light shines on the road and tighten the screws.



PS: 8mm Allen wrench required
(maximum torque 25kgf.cm)

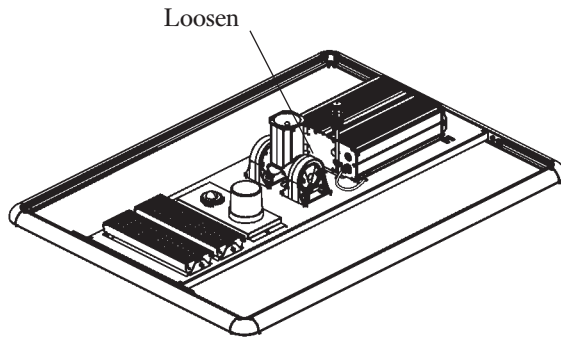
3. Adjust the beam angle of the LED module as desired, and fasten the screws.



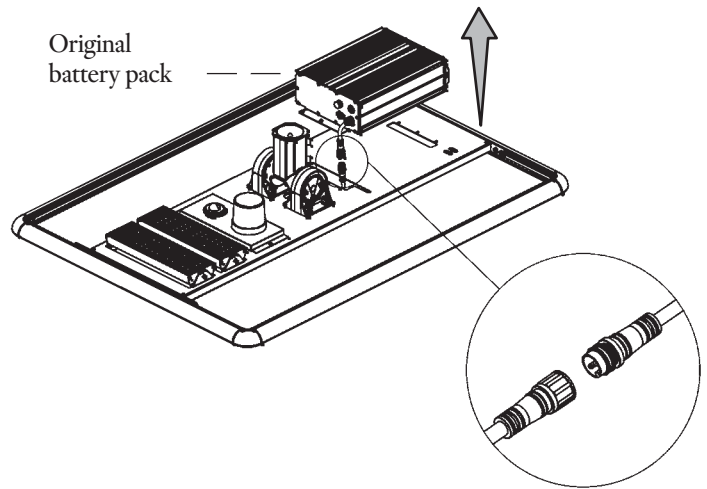
PS: 4mm Allen wrench required
(maximum torque 15kgf.cm)

Battery Pack Maintenance

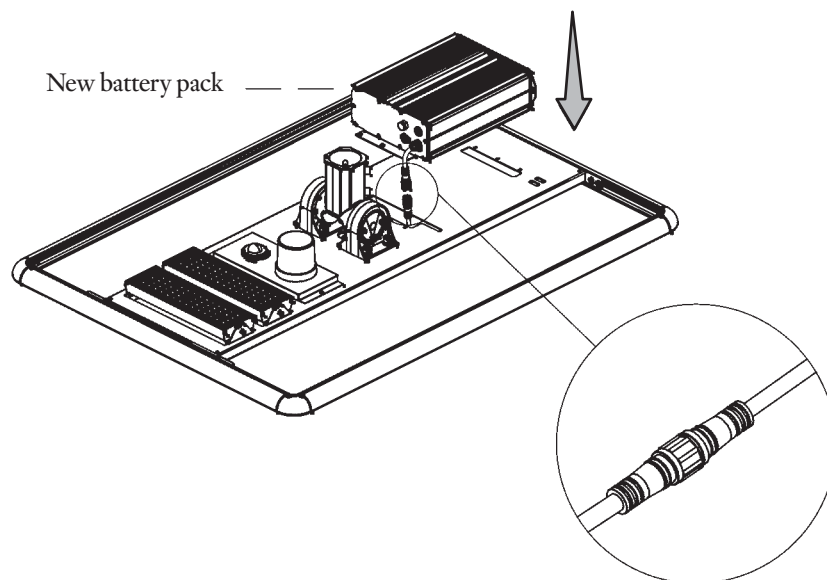
1. Loosen the fixing screws of the lamp base.



2. Remove the original battery pack and disconnect connection wire between the battery pack and the lamp.



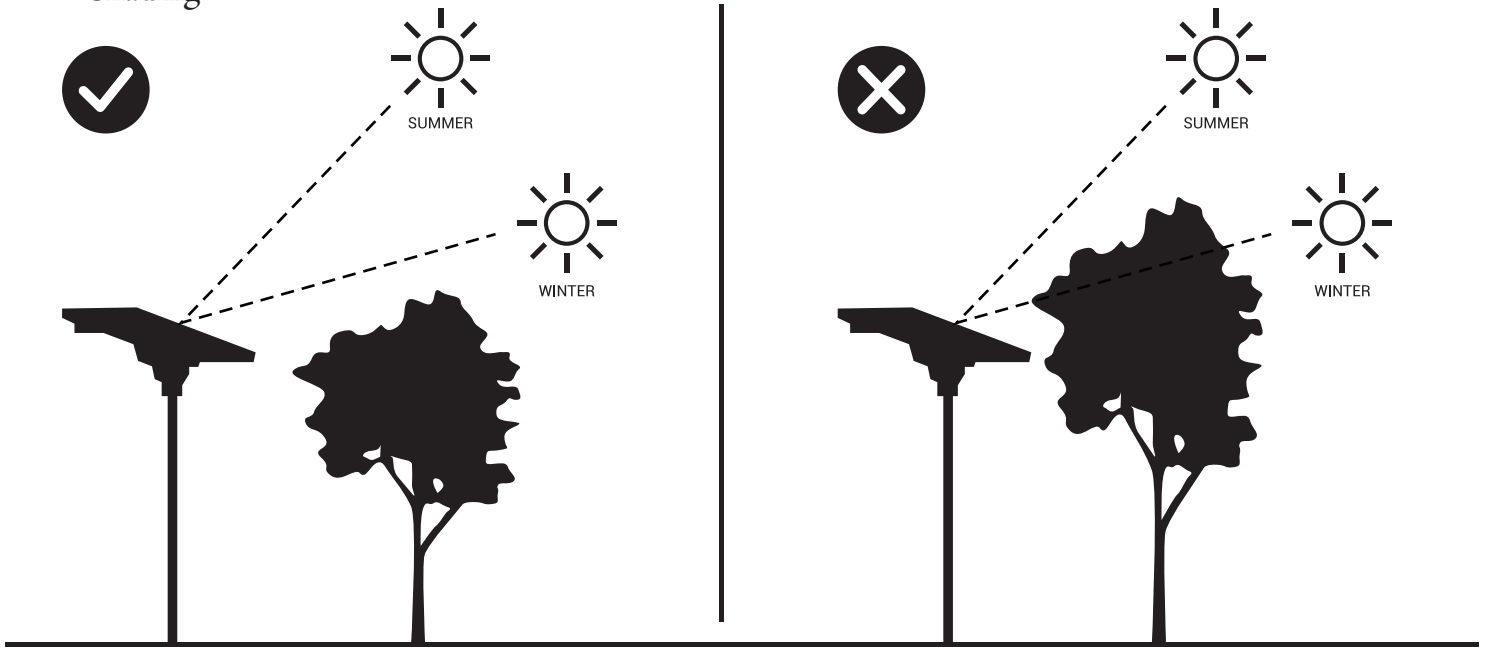
3. Connect the new battery pack to the lamp connection as shown and install the new battery pack into the base of the lamp fixture.



Remark

1. The installation position of solar lamps needs to be in the direction of the solar panel surface to the sun, and there is no shelter such as leaves and houses.

Shading



2. The installation position of solar light should not be illuminated by other fixtures.

Light Pollution

